



ARCHITECTURAL HARDWARE

FRAMELESS SHOWER DOOR HARDWARE

STOREFRONT & ENTRANCES

ARCHITECTURAL RAILINGS

SLIDING DOOR SYSTEM

GATE SYSTEM & HARDWARE

ADHESIVES & SEALANTS

GLASS PANELS & DOORS



WE HAVE MOVED

TO A BIGGER LOCATION



NOW GET **GLASS & HARDWARE**
ALL UNDER ONE ROOF

Our New Location
88 Villarboit Crescent
Concord, L4K 4K2

OLD ADDRESS
311 BOWES ROAD, UNIT-B6,
CONCORD, ON L4K1J1

5 Minutes Drive



www.taghardware.ca

INTRODUCTION



Welcome to TAG. We thank all our customers and patrons for the support and confidence reposed on us. Our Promise - We will consistently innovate and expand our product range so that you can stand apart from the rest of competition.

TAG is emerging as a leading single source manufacturer and supplier of all your Architectural hardware and Glass systems. Our range covers residential and commercial projects, interior and exterior applications. Our products are innovatively designed and manufactured to satisfy the aesthetic value, structural/performance standards along with economic concerns of our customers. Our team of experts is available to help you succeed and gain business by providing technical information, product selection and installation tips to support your project from start to finish. We provide complete software support so that you can generate your own drawings, do estimation and provide to your customer professional quotes. We are there with you at every step of process from quote to execution.

SPECIAL OFFER - Talk to our sales representative for getting your *personalised professional catalogue* and an online account.

This catalog gives an overview of our product range/systems, components and accessories. Visit our website www.taghardware.ca for our latest upto date portfolio.



OUR MISSION

To give our customers distinctive edge in Solution Centric, Quality, Reliability, Aesthetic, Innovation, Product Service & Support so that they can provide world class solutions to their clients and grow.



OUR VISION

Be a leading value brand with our innovation and market understanding. We learn, improve, succeed with our customers.



OUR MOTTO

V I T E

VALUE INSTOCK TREND EXPERTISE

TRUSTED BUSINESS PARTNERS



TAG Hardware Inc.
Shower &
Commercial Hardware



TAG Railing Inc.
Sliding &
Railing Hardware



Glass Fabrication

WE HAVE EXPANDED TO SERVE YOU BETTER!

Our New And Bigger Location Is Now Operational To Serve Your Growing Needs Better.

88 Villarboit Crescent, Concord, Ontario L4K 4K2

905-760-2000 | 905-597-4527, Ext:- 100



SHOWER DOOR HINGES

GERMAN SERIES SHOWER DOOR HINGES



SHHG111EDCP
SHHG111EDBN
SHHG111EDBL
SHHG111EDGP
SHHG111EDBG

Wall to Glass Hinge
90° (With H-Plate)



SHG111EDCP
SHG111EDBN

Wall to Glass
Hinge 90° (Full
Plate)

ADJUSTABLE



SHHA111EDCP
SHHA111EDBN

Wall to Glass
Hinge Adjustable
(H Plate)



SHG222EDCP
SHG222EDBN
SHG222EDBL
SHG222EDGP
SHG222EDBG

Glass to Glass
Hinge 180°



SHG333EDCP
SHG333EDBN
SHG333EDBL

Glass to Glass
Hinge 135°

ADJUSTABLE



SHA333EDCP
SHA333EDBN
SHA333EDBL

Glass to Glass
Adjustable 135°



SHG444PEDCP
SHG444PEDBN
SHG444PEDBL

Glass to Glass
Hinge 90°



SHP8EDCP
SHP8EDBN
SHP8EDBL

Top & Bottom
Pivot Hinge

PARIS SERIES



SHHPAWMCP
SHHPAWMBN

Wall to Glass Hinge
H Plate



SHOPAWMCP
SHOPAWMBN

Wall to Glass
Offset Hinge



SHPAGG180CP
SHPAGG180BN

Glass to Glass
Hinge 180°



SHPAGG90CP
SHPAGG90BN

Glass to Glass
Hinge 90°

pre-mium



SHPAGG135CP
SHPAGG135BN

Glass to Glass
Hinge 135°

VANCOUVER SERIES

Clean Look Invisible Screws

New



SHVANWMEDCP
SHVANWMEDBN

180° Wall Mount Full
Plate Concealed Holes

New



SHVANGG180EDCP
SHVANGG180EDBN

180° Glass to Glass
Concealed Holes

OFFSET HINGES



SHGO111EDCP
SHGO111EDBN
SHGO111EDBL

Wall To Glass Hinge
Offset Brush Finish 90°

OFFSET PLATES



SHGOPLATECP
SHGOPLATEBN
SHGOPLATEBL

CP - CHROME PLATED, BN - BRUSHED NICKEL, BL - MATT BLACK, GP - POLISHED GOLD, BG - BRUSHED GOLD

PREMIUM Z SERIES HINGES



SHAP333EDCP
SHAP333EDBN
SHAP333EDORB

Glass to Glass
 Adjustable 135°



SHGP333EDCP
SHGP333EDBN
SHGP333EDORB

Glass to Glass
 Hinge 135°

HEAVY DUTY HINGES

VICTORIA SERIES



SHV91WGEDCP
SHV91WGEDBN

Wall to Glass Full
 Back Plate



SHV92GGEDCP
SHV92GGEDBN

Glass to Glass
 Hinge 180°



SHV135GGEDCP
SHV135GGEDBN

Glass to Glass
 Hinge 135°



SHV90GGEDCP
SHV90GGEDBN

Glass to Glass
 Hinge 90°

CALIFORNIA SERIES



SHHCAWMCP
SHHCAWMBN

Wall to Glass Hinge
 H-Back Plate



SHCAGG180CP
SHCAGG180BN

Glass to Glass
 Hinge 180°


**CP - CHROME PLATED, BN - BRUSHED NICKEL
 ORB - OIL RUBBED BRONZE**





SHOWER DOOR HANDLES & TOWEL BARS

ROUND




6"X6" 8"X8"

H6X6MTCP	H8X8MTCP
H6X6MTBN	H8X8MTBN
H6X6MTBL	H8X8MTBL

Mitered Handle

ROUND




6"X6" 8"X8"

LHS6X6PS	LHS8X8PS
LHS6X6BS	LHS8X8BS
LHS6X6BL	LHS8X8BL

Ladder style Handle 6X6, 8X8

SQUARE




6"X6" 8"X8"

H6X6EDCP	H8X8EDCP
H6X6EDBN	H8X8EDBN
H6X6EDBL	H8X8EDBL

Square Handle

ROUND



6"X6" 8"X8"

H6X6CMCP	H8X8CMCP
H6X6CMBN	H8X8CMBN
H6X6CMBL	H8X8CMBL
H6X6CMGP	H8X8CMGP
H6X6CMBG	H8X8CMBG

D-Shape Shower Door Handle

SQUARE



18" 24"

TB18EDCP	TB24EDCP
TB18EDBN	TB24EDBN
TB18EDBL	TB24EDBL

18" & 24" Single Sided Towel Bar Square

ROUND




18" 24"

TB18CMCP	TB24CMCP
TB18CMBN	TB24CMBN
TB18CMBL	TB24CMBL

18" & 24" Single Sided Towel Bar Round

ROUND




6x12" 6x24"

TB6X12CMCP	TB6X24CMCP
TB6X12CMBN	TB6X24CMBN
TB6X12CMBL	TB6X24CMBL

Tubular Towel Bar with Handle

ROUND



8"X12" 8"X18" 8"X24"

TB8X12CMCP	TB8X18CMCP	TB8X24CMCP
TB8X12CMBN	TB8X18CMBN	TB8X24CMBN

Tubular Towel Bar with Handle

ROUND




6x18"

TB6X18CMCP	TB6X18CMBN
TB6X18CMBL	TB6X18CMGP

Tubular Towel Bar with Handle

SQUARE



6" Handle 8" Handle

TB6X18EDCP	TB8X18EDCP
TB6X18EDBN	TB8X18EDBN
TB6X18EDBL	TB8X18EDBL
TB6X18EDGP	Gold Polished
TB6X18EDBG	Gold Brushed

Square-18" Towel Bar with 6" Handle Square-18" Towel Bar with 8" Handle

ROUND



18" 24"

TB18X18CMCP	TB24X24CMCP
TB18X18CMBN	TB24X24CMBN
TB18X18CMBL	TB24X24CMBL

Towel Bar (Back to Back)

SQUARE



18"X18" 24"X 24"

TB18X18EDCP	TB24X24EDCP
TB18X18EDBN	TB24X24EDBN
TB18X18EDBL	TB24X24EDBL

Square Handle (Back to Back)

CP - CHROME PLATED, BN - BRUSHED NICKEL, BL - MATT BLACK, GP - POLISHED GOLD, BG - BRUSHED GOLD
ORB - OIL RUBBED BRONZE ON REQUEST

CLAMPS & BRACKETS



GC111EDCP
GC111EDBN
GC111EDBL
 Wall to Glass Connector



GC222EDCP
GC222EDBN
GC222EDMBL
 Glass to Glass Connector 135°



GC333EDCP
GC333EDBN
GC333EDMBL
 Glass to Glass Connector 90°



GC444EDCP
GC444EDBN
GC444EDMBL
 Wall to Glass Connector 90°



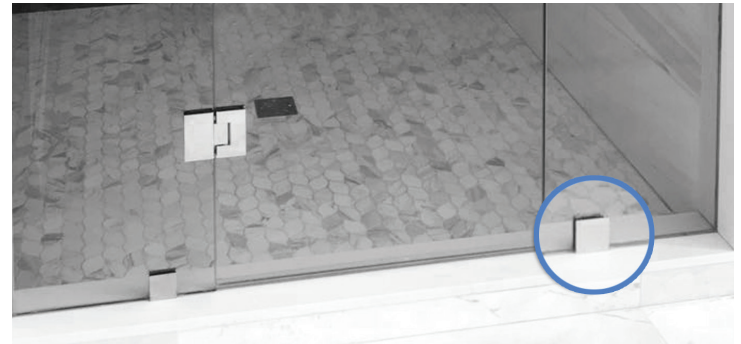
GC555EDCP
GC555EDBN
GC555EDMBL
 Glass to Glass Connector 180°



GC992EDCP
GC992EDBN
GC992EDMBL
 Wall to Glass Connector With Two Holes



SH555EDCP
SH555EDBN
SH555EDMBL
 Wall to Glass Bracket (For Fixed glass)



DOOR KNOBS



DK1CP | **DK1BN**



DK22CP | **DK22BN**



DK33CP | **DK33BN**



DK44CP | **DK44BN**



DK55CP | **DK55BN**




DK66CP | **DK66BN**

SLEEVE OVER GLASS CLAMP




GSC90CP
GSC90BN
GSC90BL
 90° Sleeve Connector



GSC90ADJCP
GSC90ADJBN
GSC90ADJBL
 Adj.90° Sleeve Connector



GSC180PS
GSC180BS
GSC180BL
 180° Sleeve Connector Linear



GSC135CP
GSC135BN
GSC135BL
 135° Sleeve Connector



GSC90WMLCP
GSC90WMLBN
GSC90WMLBL
 90° Wall Mount Left Sleeve Connector



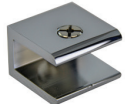


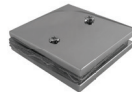
GSC90WMRLCP
GSC90WMRLBN
GSC90WMRLBL
 90° Wall Mount Right Sleeve Connector






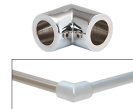







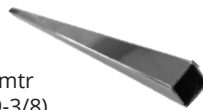
CP - CHROME PLATED, BN - BRUSHED NICKEL BL - MATTE BLACK



CLAMPS-SHELF/MALL

 <p>GSC10CP GSC10BN GSC10BL</p> <p>Small Square Interior Shelf clamps</p>	 <p>GFB6172CP GFB6172BN GFB6172BL</p> <p>Rounded Interior Shelf Clamp</p>	<p>Large</p>  <p>GSC10LCP GSC10LBN GSC10LBL</p> <p>Rectangular Interior Shelf Clamps</p>	 <p>GCMALLCLAMPCP GCMALLCLAMPBN GCMALLCLAMPBL</p> <p>2"X2" Square Mall Front Clamp</p>	
 <p>GCS13079118CP GCS13079118BN GCS13079118BL</p> <p>Shelf Clamp Extra Long Support (30x79x 118mm) Adjustable</p>	 <p>GCS14057CP GCS14057BN GCS14057BL</p> <p>Shelf Clamp Rectangular (40x57mm) Adjustable</p>	 <p>GCS1316078CP GCS1316078BN GCS1316078BL</p> <p>Shelf Clamp Winged 90deg (31x60x78 mm) Adjustable</p>	 <p>GCS165203728CP GCS165203728BN GCS165203728BL</p> <p>Shelf Clamp L Rectangular (65x20x37x28) Adjustable</p>	 <p>SCLAMP382027CP SCLAMP382027BN</p> <p>Adjustable Shelf Clamp</p>
				 <p>SCLAMP382027CP SCLAMP382027BN</p> <p>Shelf Clamp Rounded mini</p>

SUPPORT BARS AND ACCESSORIES (for 3/8" Glass)

 <p>1mtr (39-3/8) 2 mtr (78-3/4")</p> <p>RB1CP RB2CP RB1BN RB2BN</p> <p>Fixed Panel Wall to Glass Support Bar</p>	 <p>SC1A19CP SC1A19BN</p> <p>Wall Mount Support Bar Fitting</p>	 <p>SC819CP SC819BN</p> <p>Mitered Support Bar Bracket</p>	 <p>TSG8CP TSG8BN</p> <p>90° Corner Bracket</p>	<p>Round Kit</p>  <p>RBWGCH RBWGBN</p> <p>Round Support Bar Wall Connectors Kit (max - 43")</p>
 <p>SC1019CP SC1019BN</p> <p>Adjustable Wall Support Bar Bracket</p>	 <p>TSG13CP TSG13BN</p> <p>Adjustable Glass Mount Fitting</p>	 <p>TSG910CP TSG910BN</p> <p>Vertical Support Bar Bracket</p>	<p>Square Kit</p>  <p>TGSUP10CH TGSUP10BN</p> <p>Square support bar Wall Connectors kit (max - 43")</p>	
 <p>SBSQGLCONPS SBSQGLCONBN</p> <p>Support Bar Glass Connector for Square Tube</p>	 <p>SBSQWACONPS SBSQWACONBN</p> <p>Support Bar Wall Connector for Square Tube</p>	 <p>1mtr (39-3/8) 2 mtr (78-3/4")</p> <p>SBSQTUBE1PS SBSQTUBE1BS SBSQTUBE2BN SBSQTUBE2BN</p> <p>Support Bar Square</p>		

CP - CHROME PLATED. BN - BRUSHED NICKEL BS - BRUSHED STAINLESS STEEL . BL - MATTE BLACK



PLASTIC SEALS & THRESHOLDS

3/8"

PS1
Dual Durometer Seal and Wipe

3/8"

PS2
One-Piece Bottom Rail With Clear Wipe

3/8"

PS3
'Y' Jamb Seal with Soft Leg

3/8"

PS4
Translucent Bulb Seal

3/8"

PS6
Clear Co-Extruded Bottom Wipe with Drip Rail

3/8"

PS7
Small Bulb With Soft Fin

3/8"

PS8
'h' Jamb with Hard Leg

3/8"

PS9
Soft Fin 'H' Wipe

3/8"

PS10
'U' with 90° Finseal (slidings)

3/8"

PS12
Multi-Purpose Clear 'L' Angle Jamb Seal

SDT72C
Shower Door Thresholds

For 12mm Glass

PS13
Two Piece Profile 1/2" Fin

For 12mm Glass

PS14
Two Piece Profile 3/4" Fin



SHOWER DOOR HEADERS

**ES3HEADERBN
ES3HEADERBA
ES3HEADERBL**
Shower Door Header

ADJHEADER
Brass Adj Corner for the Deluxe Header Kit

WALLHEADER
Brass Wall Mounting Brackets

135HEADER
135° Header Clamp in Brass Mill Finish

**HDRBLKHAB01BN
HDRBLKHAB01BA
HDRBLKHAB01BL**
Header Adaptor Block

TAGHV380
Clear 3/8" Deluxe Header Vinyl

ES336SNAPFIT
Snap-In Filler for Door Pocket

**ES3HDKIT10BN
ES3HDKIT10BA
ES3HDKIT10BL**
Shower Door Header Kit



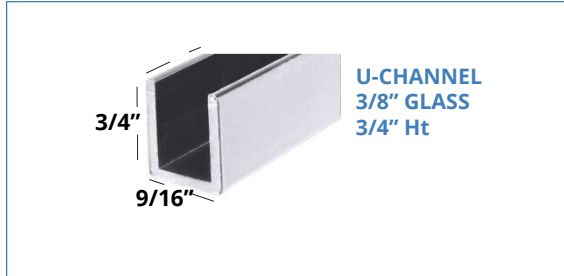
**BS - BRUSHED STAINLESS STEEL . PS - POLISHED STAINLESS STEEL.
SA - SATIN ANODIZED. BA - BRITE ANODIZED**



ALUMINIUM U-CHANNELS



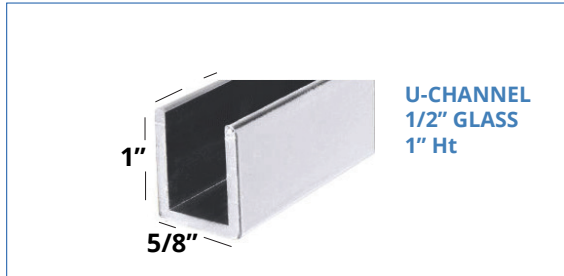
- E3US1438SA8** (Satin anodized) 8'ft
- E3US1438BA8** (Bright anodized) 8'ft
- E3US1438BN8** (Brushed) 8'ft
- E3US1438SA12** (Satin anodized) 12'ft
- E3US1438BA12** (Bright anodized) 12'ft
- E3US1438BN12** (Brushed) 12'ft
- E3US1438BL12** (Black) 12'ft



- E3US3834SA8** (Satin anodized) 8'ft
- E3US3834BA8** (Bright anodized) 8'ft
- E3US3834BN8** (Brushed) 8'ft
- E3US3834SA12** (Satin anodized) 12'ft
- E3US3834BA12** (Bright anodized) 12'ft
- E3US3834BN12** (Brushed) 12'ft
- E3US3834BL12** (Black) 12'ft



- E3US1258BN8** (Brushed) 8'ft
- E3US1258SA8** (Satin anodized) 8'ft
- E3US1258BA8** (Bright anodized) 8'ft
- E3US1258BN12** (Brushed) 12'ft
- E3US1258SA12** (Satin anodized) 12'ft
- E3US1258BA12** (Bright anodized) 12'ft
- E3US1258BL12** (Black) 12'ft



- E3US1201SA8** (Satin anodized) 8'ft
- E3US1201BA8** (Bright anodized) 8'ft
- E3US1201SA12** (Satin anodized) 12'ft
- E3US1201BA12** (Bright anodized) 12'ft
- E3US1201BN12** (Brushed) 12'ft
- E3US1201BL12** (Black) 12'ft



- E3US1234SA12** (Satin anodized) 12'ft
- E3US91634BA12** (Bright anodized) 12'ft



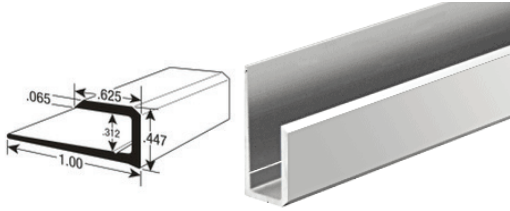
- E3TH31634SA12** (Satin anodized) 12'ft
- E3TH31634BA12** (Brightanodized) 12'ft



CP - CHROME PLATED. BN - BRUSHED NICKEL BS - BRUSHED STAINLESS STEEL . BL - MATTE BLACK

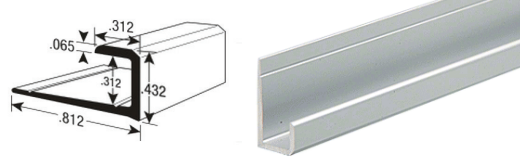
MIRROR MOLDING

TOP J CHANNEL 1-5/8"



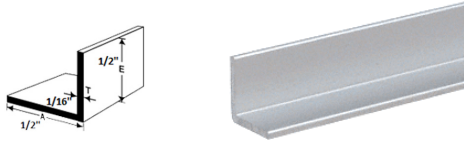
- E3JT158G6BA8 (Bright anodized) 8'ft
- E3JT158G6BA12 (Bright anodized) 12'ft
- E3JT158G6BN12 (Brushed) 12'ft
- E3JT158G6BL12 (Black) 12'ft

BOTTOM J CHANNEL 1-3/16"



- E3JB1316G6BA8 (Bright anodized) 8'ft
- E3JB1316G6SA12 (Satin anodized) 12'ft
- E3JB1316G6BA12 (Bright anodized) 12'ft
- E3JB1316G6BN12 (Brushed) 12'ft
- E3JB1316G6BL12 (Black) 12'ft

L CHANNEL 1/2"X1/2"X1/16"

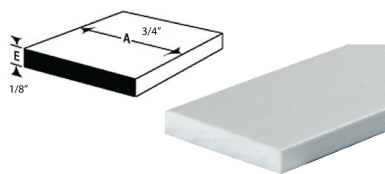


- E3L1212SA12 (Satin anodized) 12'ft
- E3L1212BA12 (Bright anodized) 12'ft
- E3L1212BN12 (Brushed) 12'ft

FACE MOLDING 5/8"X1/4"

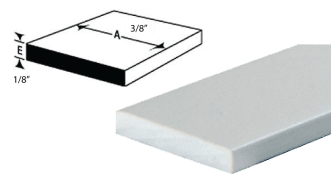


- E3FACE5814BA8 (Bright anodized) 8'ft
- E3FACE5814SA12 (Satin anodized) 12'ft
- E3FACE5814BA12 (Bright anodized) 12'ft
- E3FACE5814BL12 (Black) 12'ft



- E3FL1834AN8 (Satin 12'ft)
- E3FL1834AN12 (Satin 12'ft)

Flat Bar In Aluminium 1/8" X 3/4"
In 8 & 12 Feet



- E3FL1838AN12 (Satin 12'ft)
- E3FL1838BA12 (Bright anodized) 12'ft

Flat Bar In Aluminium 1/8" X 3/8"
In 12 Feet



E3DIVIDER9AN (SATIN)

Divider Bar



CP- CHROME PLATED. BN - BRUSHED
NICKEL BS - BRUSHED STAINLESS STEEL .
BL - MATTE BLACK

PREMIUM HYDRAULIC DOOR PATCH

Premium



CFHP100

- Quick and easy Installation
- 2-3/4" (69mm) pivot set back
- Adjustable closing and latching speed
- Maximum weight 220LB (100KG)
- Maximum width 39-3/8" (1000mm)
- Maximum height 102" (2591mm)
- Suitable door thickness 3/8" - 9/16" (10~15mm)

HOLD OPEN	NON-HOLD OPEN	FINISH
CFHP100BSS	CFHP100NHOBSS	BRUSHED STAINLESS STEEL
CFHP100PSS	CFHP100NHOPSS	POLISHED STAINLESS STEEL
CFHP100SA	CFHP100NHOSA	SATIN ANODIZED
CFHP100BL	CFHP100NHOB	MATTE BLACK

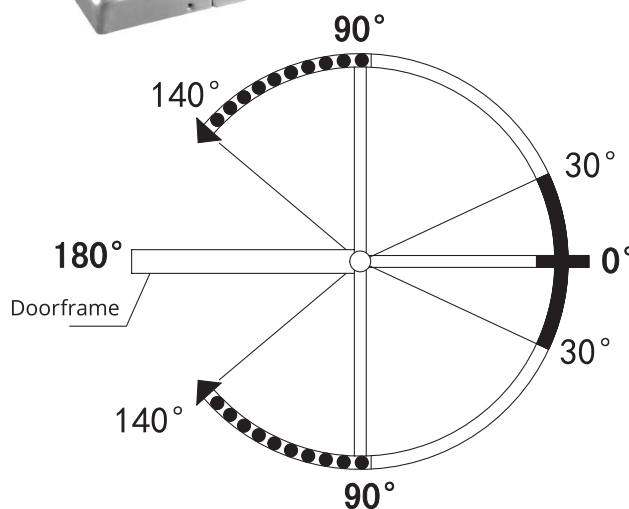
Heavy Duty



CFHP150

- Quick and easy Installation
- 2-3/4" (69mm) pivot set back
- Adjustable closing and latching speed
- Maximum weight 330LB (150KG)
- Maximum width 47-1/4" (1200mm)
- Maximum height 102" (2591mm)
- Suitable door thickness 3/8" - 9/16" (10~15mm)

HOLD OPEN	NON-HOLD OPEN	FINISH
CFHP150BSS	CFHP150NHOBSS	BRUSHED STAINLESS STEEL
CFHP150PSS	CFHP150NHOPSS	POLISHED STAINLESS STEEL
CFHP150SA	CFHP150NHOSA	SATIN ANODIZED
CFHP150BL	CFHP150NHOB	MATTE BLACK



Features

- Open Angle: 140° double action
- Door hold open section
- Two speeds adjustable

Value 1: 90° - 0°
Value 2: 30° - 0°

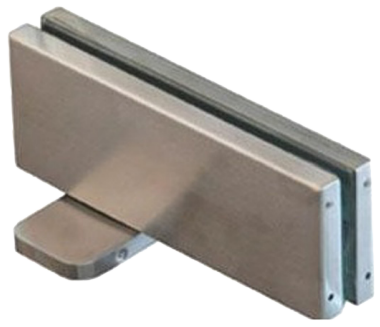


MODEL NO.	FINISH	MATERIAL	DOOR WEIGHT (KG) (LB)	DOOR HEIGHT (MM) (IN)	DOOR WIDTH (MM) (IN)	DOOR THICKNESS (MM) (IN)	APPLICATION	REMARK
CFHP100	Polished	Hydraulic main part: Aluminium die casting Cover Plate: SS304	≤ 100kg	≤ 2591mm	≤ 1000mm	10~15mm 3/8"~9/16"	Frameless Temepred Glass Door	Matching selection to patch, transom sidelitepatch, top pivot, patch lock etc.,
	Brushed		≤ 220.4lb	≤ 102" in	≤ 39-3/8" in			
	Satin							
CFHP150	Polished	Hydraulic main part: Aluminium die casting Cover Plate: SS304	≤ 150kg	≤ 2591mm	≤ 1300mm	10~15mm 3/8"~9/16"	Frameless Temepred Glass Door	Matching selection to patch, transom sidelitepatch, top pivot, patch lock etc.,
	Brushed		≤ 330.6lb	≤ 102" in	≤ 51-3/16"			
	Satin							

CUSTOM COLORS SUCH AS BLACK, GOLD, SATIN GOLD & ORB AVAILABLE ON REQUEST
BL - BLACK MATTE . PSS - POLISHED STAINLESS STEEL . SA - SATIN ANODIZED

HYDRAULIC DOOR PATCH

CFH100



CFH105



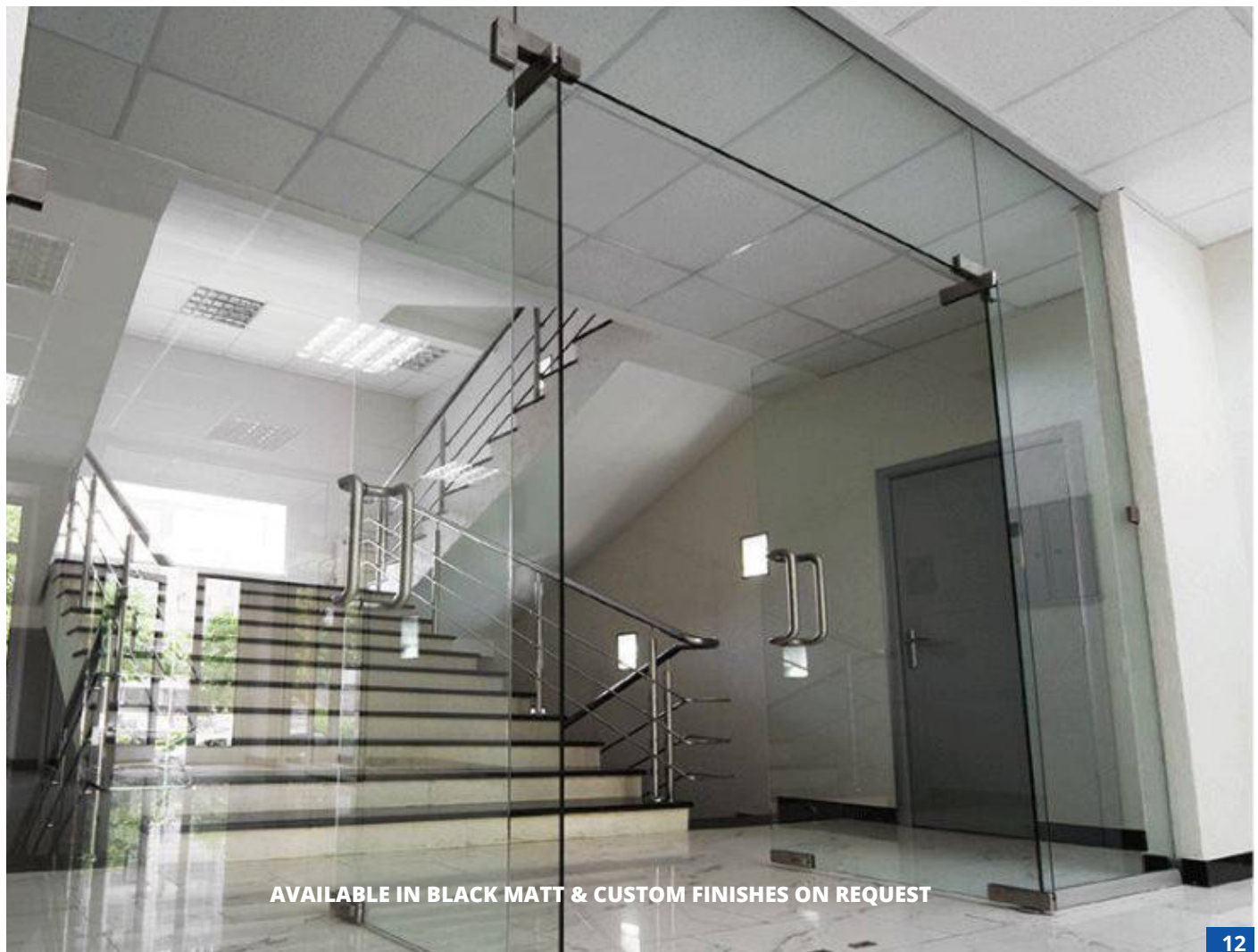
STOREFRONT & ENTRANCES

HOLD OPEN	NON-HOLD OPEN	FINISH
CFH100BSS	CFH100NHOBSS	BRUSHED STAINLESS STEEL
CFH100PSS	CFH100NHOPSS	POLISHED STAINLESS STEEL
CFH100SA	CFH100NHOSA	SATIN ANODIZED
CFH100BL	CFH100NHOB	MATTE BLACK

HOLD OPEN	NON-HOLD OPEN	FINISH
CFH105BSS	CFH105NHOBSS	BRUSHED STAINLESS STEEL
CFH105PSS	CFH105NHOPSS	POLISHED STAINLESS STEEL
CFH105SA	CFH105NHOSA	SATIN ANODIZED
CFH100BL	CFH100NHOB	MATTE BLACK

- Easy Installation With Adjustable Base Plate
- Maximum Weight 220lb (100kg)
- Maximum Door Width 40" (1016mm)
- Glass Thickness 5/16" - 1/2" (8~12mm)
- Adjustable Closing And Latching Speed

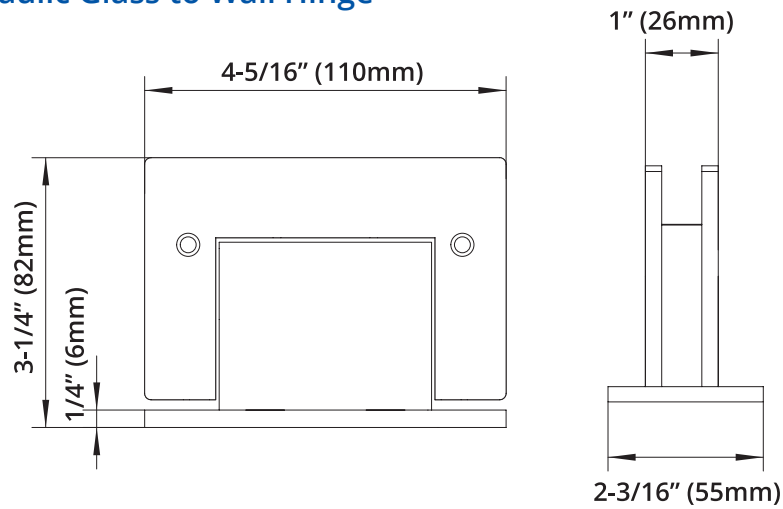
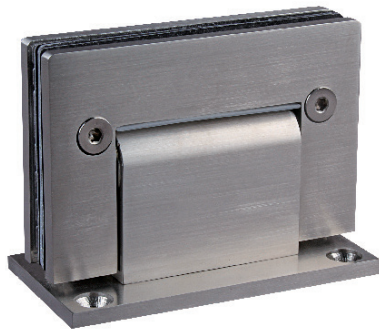
- Easy Installation With Adjustable Base Plate
- Maximum Weight 220lb (100kg)
- Maximum Door Width 49" (1244.6mm)
- Glass Thickness 3/8" - 9/16" (10~15mm)
- Adjustable Closing And Latching Speed



AVAILABLE IN BLACK MATT & CUSTOM FINISHES ON REQUEST

HHWM60

Hydraulic Glass to Wall Hinge



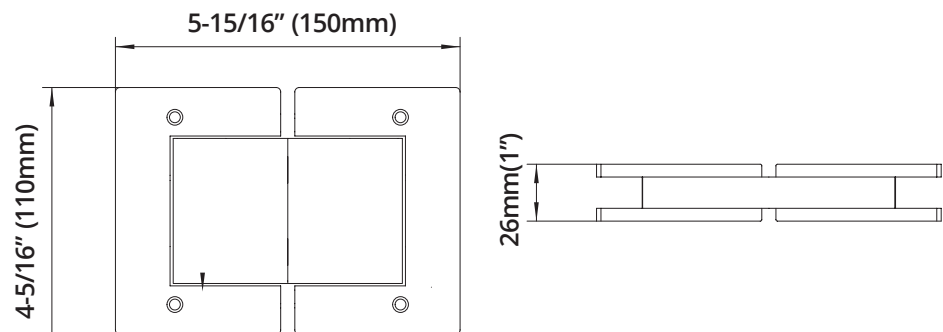
STOREFRONT & ENTRANCES

Model Selection

MODEL NO.	TYPE	FINISH	MATERIAL	DOOR WEIGHT (KG) (LB)	DOOR WEIGHT (MM) (IN)	DOOR WIDTH (MM) (IN)	DOOR THICKNESS (MM) (INZ)	APPLICATION	RE-MARK
HHWM60BS HHWM60NHOBBS	Glass to Wall	Brushed	SS304	≤ 60kg	≤ 2200mm	≤ 1000mm	≤ 8-14mm	Frameless Door	1xSpring + 1xHydraulic
HHWM60PS HHWM60NHOPS		Polished		≤ 132.2lb	≤ 86-5/8"	≤ 39-3/8"	≤ 5/16"-9/16"		

HHGG60

180° Hydraulic Glass to Glass Hinge



Features

- Double Adjustable Closing Speed
- Easy Installation
- Excellent Durability - Lifespan 50,000 Cycles
- Require Cut Out In The Glass
- A Great Alternate To Floor Closing


MODEL NO.	TYPE	FINISH	MATERIAL	DOOR WEIGHT (KG) (LB)	DOOR WEIGHT (MM) (IN)	DOOR WIDTH (MM) (IN)	DOOR THICKNESS (MM) (INZ)	APPLICATION	RE-MARK
HHGG60BS HHGGNHO60BS	Glass to Glass	Brushed	SS304	≤ 60kg	≤ 2200mm	≤ 1000mm	≤ 8-14mm	Frameless Door	1xSpring + 1xHydraulic
HHGG60PS HHGGNHO60PS		Polished		≤ 132.2lb	≤ 86-5/8"	≤ 39-3/8"	≤ 5/16"-9/16"		

COMMERCIAL PATCH HARDWARE

Also Available in
BLACK

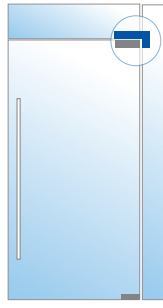



STOREFRONT & ENTRANCES



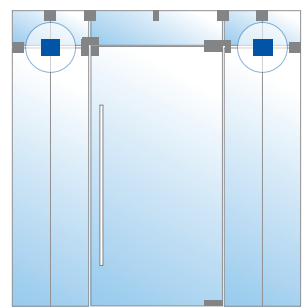
PF1BSS
PF1PSS
PF1SA

Sidelite Transom Patch With Pivot

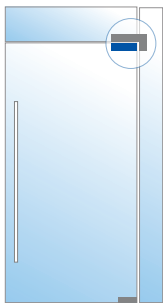
PF620BSS
PF620PSS
PF620SA

Quadruple Patch Connector



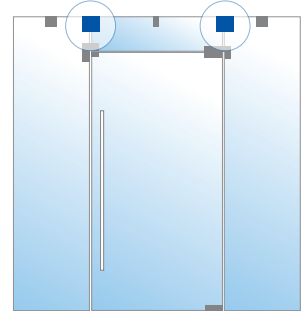

PF2BSS
PF2PSS
PF2SA

Top Door Patch Fitting




PF650BSS
PF650PSS
PF650SA

Glass to Glass Connecting Patch



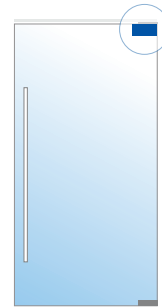


PF3BSS
PF3PSS
PF3SA

Bottom Door Patch Fitting



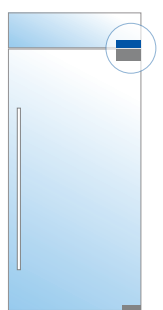

PF2HPBSS
PF2HPPSS
PF2HPSA

Top Door Patch Fitting With Matching Plate as CFHB100/CFHP100/CFH100

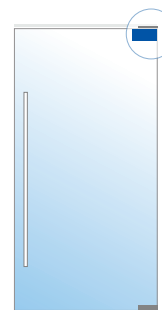
PF4BSS
PF4PSS
PF4SA

Wall Mounted Transom Patch With Pivot



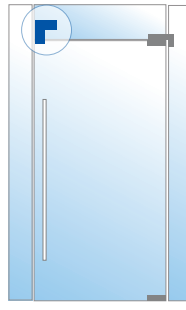

PF21HPBSS
PF21HPPSS
PF21HPSA

Top Door Patch Fitting With Matching Plate as CFH105



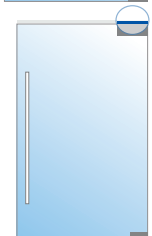


PF610BSS
PF610PSS
PF610SA

Sidelite Mounted Transom Patch With Door Stop



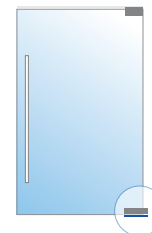

FSACCGDPBS
FSACCGDPPS

Top Centre Hung Free Swing Pivot

FSACCMH1

Floor Mounted Bottom Pivot



CUSTOM COLORS AVAILABLE

BSS - BRUSHED STAINLESS STEEL . PSS - POLISHED STAINLESS STEEL . SA - SATIN ANODIZED

PATCH LOCKS

BSS.PSS.SA

Also Available in
BLACK




PL1BSS
PL1PSS
PL1SA

Corner Patch Lock with Strike Plate



PL2A2BSS
PL2A2BPSS
PL2A2BSA

Centre Patch Lock & Strike Box for Centre Patch Lock



Round Throw bolt

PL205BS
PL205PS
PL205SA

Round Throw Bolt Patch Lock With Strike Plate



PL3ABSS
PL3APSS

Thumb Turn Lock



PL3A3BSS
PL3A3BPSS

Thumb Turn Lock & Strike Box



Strike Plate

PL4ABSS
PL4APSS

Glass Door Lock Strike Plate



Strike Box

Single Latch

PL4A4BSS
PL4A4BPSS

Glass to Glass Door Lock with Strike Box

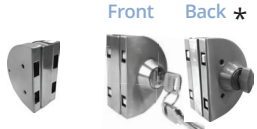


Strike Plate

Double Latch

PL5ABSS
PL5APSS

Double Sided Lock With Strike Plate



Strike Box

Double Latch

PL5A5BSS
PL5A5BPSS

Double Sided Lock with Strike Box

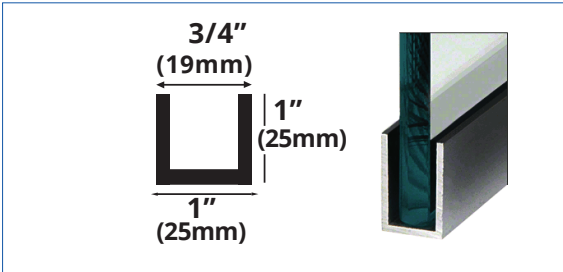


STOREFRONT & ENTRANCES

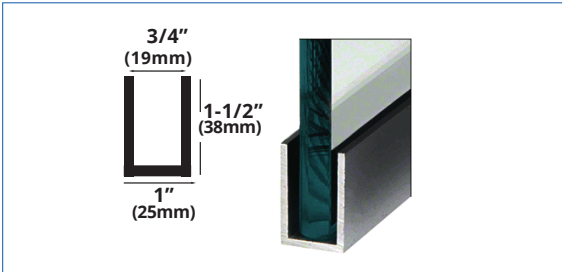


COMMERCIAL CHANNELS

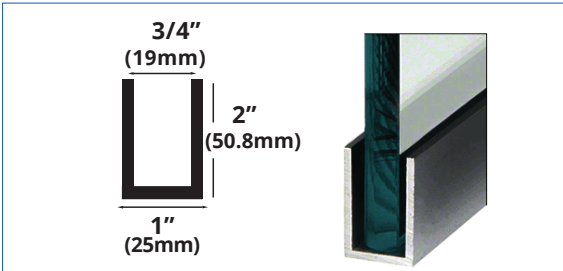
STOREFRONT & ENTRANCES



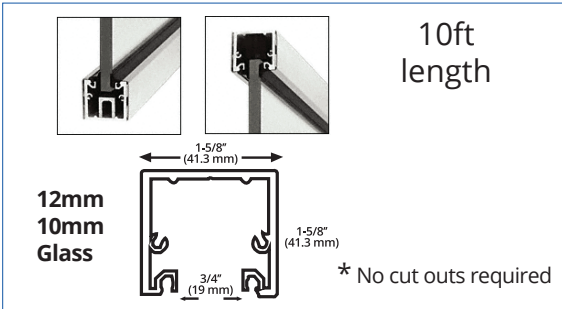
- E3UC1X1BN10 (Brushed) 10'ft
- E3UC1X1SA10 (Satin Anodized) 10'ft
- E3UC1X1BA10 (Bright Anodized) 10'ft
- E3UC1X1BL10 (Black) 10'ft
- E3UC1X1SA12 (Satin Anodized) 12'ft
- E3UC1X1BN12 (Brushed) 12'ft
- E3UC1X1BL12 (Black) 10'ft



- E3UC15X1BN10 (Brushed) 10'ft
- E3UC15X1SA10 (Satin Anodized) 10'ft
- E3UC15X1BA10 (Bright Anodized) 10'ft
- E3UC15X1BL10 (Black) 10'ft
- E3UC15X1SA12 (Satin Anodized) 12'ft
- E3UC15X1BN12 (Brushed) 12'ft
- E3UC15X1BL12 (Black) 10'ft



- E3UC2X1BN10 (Brushed) 10'ft
- E3UC2X1SA10 (Satin Anodized) 10'ft
- E3UC2X1BA10 (Bright Anodized) 10'ft
- E3UC2X1BL10 (Black) 10'ft
- E3UC2X1SA12 (Satin Anodized) 12'ft
- E3UC2X1BN12 (Brushed) 12'ft
- E3UC2X1BL12 (Black) 10'ft



- UZCBS3810SL (Brushed) 10'ft
 - UZCPS3810SL (Polished) 10'ft
 - UZCSA3810SL (Satin Anodized) 10'ft
- Cladding Sold Separately for Polished & Brushed Finish

EC425340X41BS

Brushed Stainless End Cap For Square Base Shoe

RG12100 (12MM GLASS)
RG38100 (12MM GLASS)

Roll-In Glazing Gasket for 3/8" and 1/2" (10 and 12 mm) Glass

DOOR STOPPER SS304

DS412X12X2BS

Door Stopper 1/2" x 1/2" square 2" long in BS finish with black rubber

DS412X12X6BS

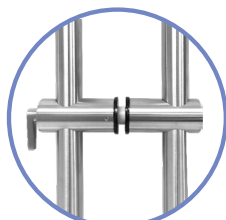
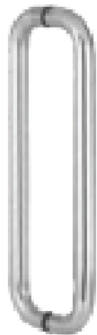
Door Stopper 1/2" x 1/2" square 6" long in BS finish with black rubber

DS43040BS

Door Stopper Dia 30x40mm with Rubber Ring in BS Finish

BSS - BRUSHED STAINLESS STEEL . PSS - POLISHED STAINLESS STEEL . SA - SATIN ANODIZED BL- MATTE BLACK

COMMERCIAL HANDLES



PRODUCT CODE	OVER ALL LENGTH	CENTER TO CENTER
LH8x8BS	12"(305mm)	8"(203mm)
LH8x8PS	12"(305mm)	8"(203mm)
LH12x12BS	24"(510mm)	12"(305mm)
LH12x12PS	24"(510mm)	12"(305mm)
LH12x12BL	24"(510mm)	12"(305mm)
LH18x18BS	30"(762mm)	18"(457mm)
LH18x18PS	30"(762mm)	18"(457mm)
LH24x24BS	36"(914mm)	24"(610mm)
LH24x24PS	36"(914mm)	24"(610mm)
LH36x36BS	48"(1219mm)	36"(914mm)
LH36x36PS	48"(1219mm)	36"(914mm)
LH48x48BS	60"(1524mm)	48"(1219mm)
LH48x48PS	60"(1524mm)	48"(1219mm)
LH48X48BL	60"(1524mm)	48"(1219mm)
LH60x60BS	72"(1829mm)	60"(1524mm)
LH60x60PS	72"(1829mm)	60"(1524mm)
LH72x72BS	84"(2134mm)	72"(1829mm)
LH72x72PS	84"(2134mm)	72"(1829mm)

PRODUCT CODE	CONVERT KIT TO CHANGE LADDER
LHOFFSETBS	Offset Mount Mid-Post for Ladder Pulls
LHOFFSETPS	

PRODUCT CODE	OVER ALL LENGTH	CENTER TO CENTER
GH1112X12BS	13"(337mm)	12"(305mm)
GH1112X12PS	13"(337mm)	12"(305mm)
GH1124X24BS	25"(642mm)	24"(610mm)
GH1124X24PS	25"(642mm)	24"(610mm)
GH1136X36BS	37"(946mm)	36"(914mm)
GH1136X36PS	37"(946mm)	36"(914mm)
GH1160X60BS	61"(1556mm)	60"(1524mm)
GH1160X60PS	61"(1556mm)	60"(1524mm)
GH1172X72BS	73"(1861mm)	72"(1829mm)
GH1172X72PS	73"(1861mm)	72"(1829mm)

PRODUCT CODE	OVER ALL LENGTH	CENTER TO CENTER
HOFF10X10BS	10"(254mm)	Door Handle Offset 10x10" in BSS
HOFF12X12BS	12"(304mm)	Door Handle Offset 12x12" in BSS
HOFF18X18BS	18"(457mm)	Door Handle Offset 16x16" in BSS

PRODUCT CODE	OVER ALL LENGTH	CENTER TO CENTER
LHL1125x1125BS	59-1/16" (1500mm)	44-5/16" (1125mm)
LHL3612x3612BS	60" (1524mm)	36" (914.4mm)
LHL3612x3612PS	60" (1524mm)	36" (914.4mm)
LHL36x36BS	48" (1219mm)	36" (914mm)
LHL36x36PS	48" (1219mm)	36" (914mm)

STOREFRONT & ENTRANCES

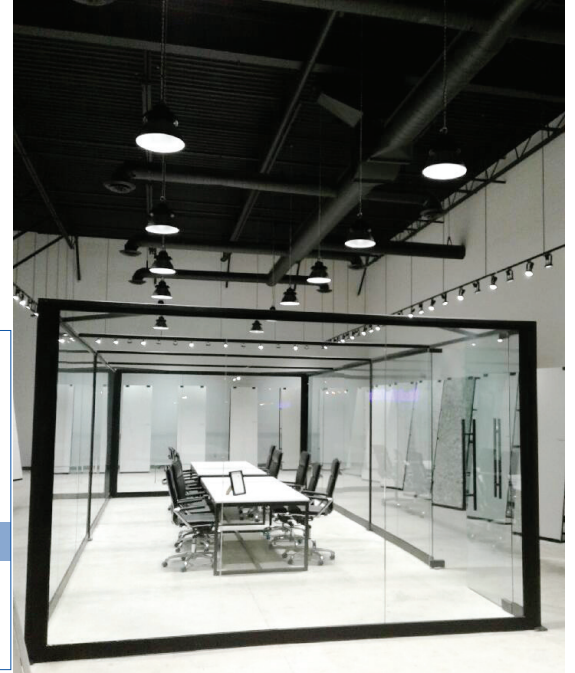
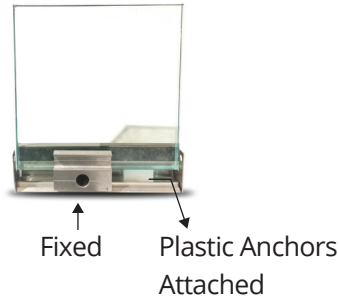
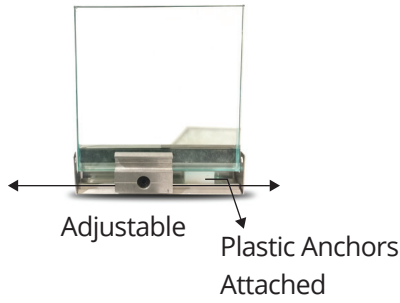
BS - BRUSHED STAINLESS STEEL . PS - POLISHED STAINLESS STEEL . SA - SATIN ANODIZED.
BL - Matt Black (available on request)

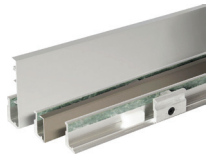
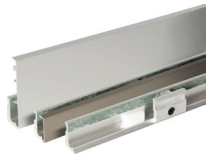
MECHANICAL GLAZING CHANNELS & ACCESSORIES

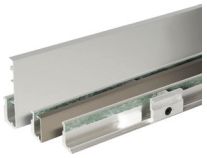
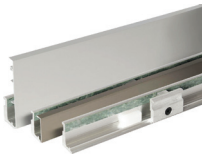
STOREFRONT & ENTRANCES

COMFORT

ECONOMY



	
EW368710PC	EW368712PC
Comfort Profile for 10mm Glass, 10ft length	Comfort Profile for 12mm Glass, 10ft length

	
EW368810PE	EW368712PE
Standard Profile for 10mm Glass, 10ft length	Standard Profile for 12mm Glass, 10ft length

CLADDING 1-5/8" (4cm)

CLADDING 4" (10cm)



EW3CL691104BS (BRUSHED)
EW3CL692104SA (SATIN ANODIZED)
EW3CL693104SAB (MATT BLACK)

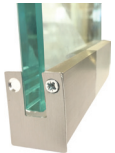


EW3CL6941010BS (BRUSHED)
EW3CL6951010SA (SATIN ANODIZED)
EW3CL7021010SAB (MATT BLACK)

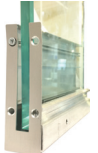


END CAP 1-5/8" (4cm) FOR 10MM GLASS

END CAP 4" (10cm) FOR 10MM GLASS



EC3CL703410BS (BRUSHED)
EC3CL704410SA (SATIN ANODIZED)
EC3CL705410SAB (MATT BLACK)



EC3CL7061010BS (BRUSHED)
EC3CL7071010SA (SATIN ANODIZED)
EC3CL7081010SAB (MATT BLACK)

END CAP 1-5/8" (4cm) FOR 12MM GLASS

END CAP 4" (10cm) FOR 12MM GLASS



EC3CL696412BS (BRUSHED)
EC3CL697412SA (SATIN ANODIZED)
EC3CL698412SAB (MATT BLACK)



EC3CL6991012BS (BRUSHED)
EC3CL7001012SA (SATIN ANODIZED)
EC3CL7011012SAB (MATT BLACK)

BS - BRUSHED STAINLESS STEEL . PS - POLISHED STAINLESS STEEL . SA - SATIN ANODIZED. SAB - MATT BLACK

GLASS DOOR LOCKS

Also Available in
BLACK



For Sliding Door

GDL860BSL BSS **GDLKG860BSS**

Glass Door Lock & Keeper Glass To Glass (For Sliding Door)

For Sliding Door

GDL860BSL BSS **GDLKW860BSS**

Glass Door Lock & Keeper Wall To Glass (For Sliding Door)

GDL71RDD BSS **GDLKGRD71BSS**

Glass Door Lock & Keeper DBL Glass to Glass

GDL71RDD BSS **GDLKW71BSS**

Glass Door Lock & Keeper Wall to Glass

GDL71SQCMBSS **GDLKG71SQCBSS**

Glass Door Lock & Keeper DBL Sq.Mitre Glass To Glass

GDL71SQCMBSS **GDLKG71BSS**

Glass Door Lock & Keeper Sq.Mitre Glass To Glass

GDL71SQCMBSS **GDLKW71BSS**

Glass Door Lock & Keeper Sq.Mitre Wall To Glass

GDL870B BSS **GDLKW870BSS**

Glass Door Lock & Keeper OB Wall to Glass

GDL870B BSS **GDLKG87BSS**

Glass Door Lock & Keeper OB Glass to Glass

GDL875QBSS **GDLKW87BL**
GDLKW87BSS

Glass Door Lock & Keeper Sq. Wall to Glass

GDL875SQBL **GDLKGS87BL**
GDL875QBSS **GDLKGS87BSS**

Glass Door Lock & Keeper Sq. DBL Glass to Glass

GDL875SQBL **GDLKG87BL**
GDL875QBSS **GDLKG87BSS**

Glass Door Lock & Keeper Sq. Glass to Glass

GDL87RECSQBL **GDLKG87RECSQBL**
GDL87RECSQBSS **GDLKG87RECSQBSS**

Glass Door Lock & Keeper Rec. Sq Glass to Glass

GDL87RECSQBL **GDLKW87RECBL**
GDL87RECSQBSS **GDLKW87REC BSS**

Glass Door Lock Rectangular With Cylinder Sq Lever Type Handles & Keeper For Wall

PRIVACY LOCKS

GDL90RDBSS

Glass Door Privacy Lock & Keeper Glass to Glass



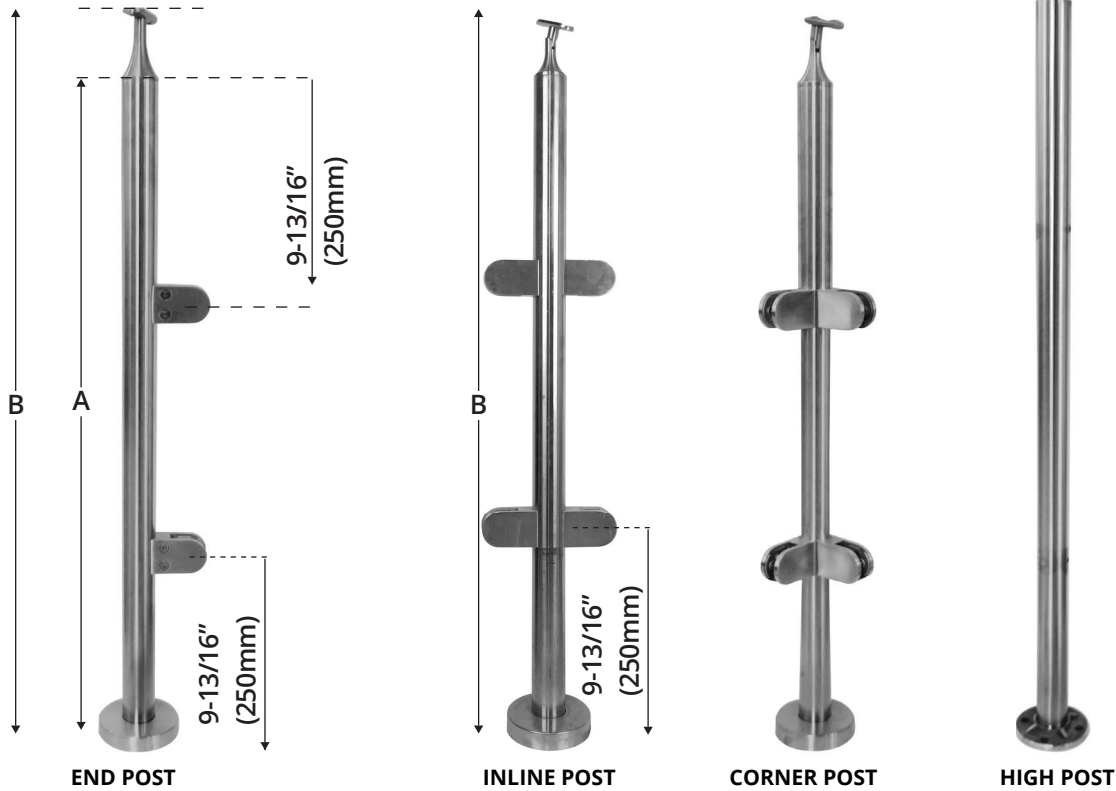
ARCHITECTURAL RAILINGS

BSS - BRUSHED STAINLESS STEEL BL - Matt Black (available on request)

ROUND STAINLESS STEEL POST

SS316

Also Available in
BLACK



ARCHITECTURAL RAILINGS

TS64094242LBS
Fixed Top Support for 42.4mm Tube

TS64284242LBS
Swivel Top Support for 42.4mm Tube

TS6HA40SQBS
Height Adjustable Support For 40mm Square Pipe

EC620142H00BS
42.4 (1-5/8")

EC621642H00BSM8
42.4 (1-5/8")

SA6600XX00LBS Flat
SA6601XX38LBS 38.1 (1-1/2")
SA6602XX42LBS 42.4 (1-5/8")
SA6603XX50LBS 50.8 (2")

SA604XX00CBS Flat
SA6605XX38CBS 38.1 (1-1/2")
SA6606XX42CBS 42.4 (1-5/8")
SA6607XX50CBS 50.8 (2")

SA6608XX00NBS Flat
SA6609XX38NBS 1-1/2" (38.1mm)
SA6610XX42NBS 1-5/8" (42.4mm)
SA6611XX50NBS 2" (50.8mm)

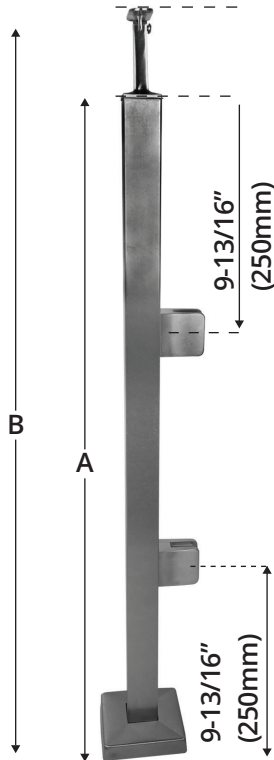
	36" HIGH WITH HANDRAIL	40" HIGH WITH HANDRAIL	42" HIGH WITH HANDRAIL	42" HIGH WITHOUT HANDRAIL
A	32" (812.8MM)	36" (914.4MM)	38" (965.2MM)	42" (1066.8MM)
B	34.657" (880.2MM)	38.657" (981.8MM)	40.657" (1032.6MM)	
END POST	PR60024236EBS	PR60054240EBS	PR60084242EBS	
INLINE POST	PR60034236LBS	PR60064240LBS	PR60094242LBS	
CORNER POST	PR60014236CBS	PR60044240CBS	PR60074242CBS	
CUSTOM POST				PR60104242XBS

BS - BRUSHED STAINLESS STEEL .

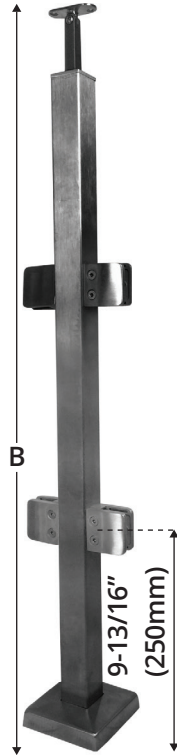
SQUARE STAINLESS STEEL POST

SS316

Also Available in
BLACK



END POST



INLINE POST



CORNER POST



HIGH POST



TS647940FIXBS
Tube Support Fix for
40mmX40mm Square Pipe




TS64784000LBS
Tube Support Swivel for
40mmX40mm Square Pipe



EC625040H00BS
40mm (1-9/16")




EC625140H00BSM8
40mm (1-9/16")




Inline Saddle

SA6600XX00LBS	Flat
SA6601XX38LBS	38.1 (1-1/2")
SA6602XX42LBS	42.4 (1-5/8")
SA6603XX50LBS	50.8 (2")



90° Saddle

SA604XX00CBS	Flat
SA6605XX38CBS	38.1 (1-1/2")
SA6606XX42CBS	42.4 (1-5/8")
SA6607XX50CBS	50.8 (2")



135° Saddle

SA6608XX00NBS	Flat
SA6609XX38NBS	1-1/2" (38.1mm)
SA6610XX42NBS	1-5/8" (42.4mm)
SA6611XX50NBS	2" (50.8mm)

	36" HIGH WITH HANDRAIL	40" HIGH WITH HANDRAIL	42" HIGH WITH HANDRAIL	42" HIGH WITHOUT HANDRAIL	42" HIGH WITHOUT HANDRAIL
A	32.507" (825.6MM)	36.507" (927.2MM)	38.507" (978MM)	42"(1066.8MM)	42"(1066.8MM)
B	35.657" (905.6MM)	39.657" (1007.2MM)	41.657" (1058MM)		
END POST	PS60524036EBS	PS60554040EBS	PS60584042EBS	PS60614042+EBS	
INLINE POST	PS60534036LBS	PS60564040LBS	PS60594042LBS	PS60624042+LBS	
CORNER POST	PS60514036CBS	PS60544040CBS	PS60574042CBS	PS60634042+CBS	
CUSTOM POST					PS60604042XBS

BS - BRUSHED STAINLESS STEEL .

DISC FLANGES & DISC COVERS

SS316

Also Available in
BLACK



DF665010042R

Disc Flange 100mm For Tube 42.4mm



DC665210542R

Disc Covers Bottom For 42.4mm Pipe



DF665710042RNC

Disc Flange for 42.4mm Pipe (No Cover Needed)



DF665110040SQ

Square Base Flange For Tube 40x40mm



DC665410540S

Disc Covers Bottom Cast Square 105mm



DF6655810040SNS

Square Base Flange For Tube 40x40mm (No Cover Needed)



RODS & ROD CONNECTORS

SS316

ARCHITECTURAL RAILINGS



TC69137512SBS

Tube Connector Rod Swivel 2-15/16" (75mm) x 1/2" (12mm)



TC692131212BS

Tube Connector Sq.Swivel 2-15/16" (75mm) x 1/2" (12mm) x 1/2" (12mm)



ROUND AND SQUARE HAND RAILS

SS316



TU6924381915R

Tube Round 38.1mm (1-1/2") Dia X 1.5mm Thick



TU6926501915R

Tube Round 50.8mm (2") Dia X 1.5 mm Thick



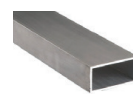
TU6932421920R

Tube Round 42.4mm (1-5/8") Dia X 2.0 mm Thick



TU6933401920S

Tube Square (40X40mm) (1-9/16"X1-9/16") With 2.0mm Thick



TU4937251915S SS304

TU625501915S SS316

Tube Rectangular 1"(25mm) X 2"(50mm) X 19' (5791mm)

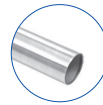


BS - BRUSHED STAINLESS STEEL (PS - POLISHED STAINLESS STEEL. AVAILABLE ON REQUEST)

ROUND ELBOWS

SS316


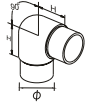
Also Available in
BLACK



For Tube TU6932421920R
Dia: 1-1/2", 1-5/8", 2"


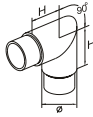


Rounded Edge 90°


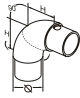
EB63053815RBS	1-1/2" (38.1mm)
EB63064220RBS	1-5/8" (42.4mm)
EB63095020RBS	2" (50.8mm)

Mitered Edge 90°



EB63003815EBS	1-1/2" (38.1mm)
EB63014220EBS	1-5/8" (42.4mm)
EB63045020EBS	2" (50.8mm)

Flexible


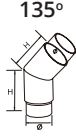
EB63303815OBS	1-1/2" (38.1mm)
EB63314220OBS	1-5/8" (42.4mm)
EB63345020OBS	2" (50.8mm)

Adjustable


EB63353815ABS	1-1/2" (38.1mm)
EB63364220ABS	1-5/8" (42.4mm)
EB63395020ABS	2" (50.8mm)

135°


EB63153815NBS	1-1/2" (38.1mm)
EB63164220NBS	1-5/8" (42.4mm)
EB63195020NBS	2" (50.8mm)

Linear



EB63403815LBS	1-1/2" (38.1mm)
EB63414220LBS	1-5/8" (42.4mm)

Round Straight Connector SS316



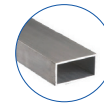
EB63214220TBS
1-5/8" (42.4mm)



RECTANGULAR ELBOWS

SS304

For Tube
TU4937251915S (SS304)
TU625501915S (SS316)



2" x 1"



EB43852515AVBS(SS304)
EB63932515AVBS(SS316)

Rectangular Adj. Tube Horizontal for Rectangular Pipe 25 X 50mm



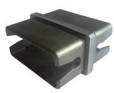
EB43842515AHBS (SS304)
EB63922515AHBS (SS316)

Elbow Adj.Hori. In SS 304 for Rectangular Pipe 25 X 50mm



EB43832590HBS (SS304)
EB63912590HBS (SS316)

Elbow 90° In SS 304 for Rectangular Pipe 25 X 50mm



EB43822515LBS (SS304)
EB63902515LBS (SS316)

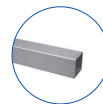

Elbow Linear In SS 304 for Rectangular Pipe 25 X 50mm

ARCHITECTURAL RAILINGS

SQUARE ELBOWS

SS316

for TU6933401920S Tube
(40x40mm)


EB63774020ABS

90° Adjustable Elbow Square SS316



EB63784020LBS

Square Linear Connector SS316



EB63764020EBS

90° Elbow Square SS316

END CAPS

SS316

Also Available in
BLACK



Flat End Cap

EC620038H00BS	1-1/2" (38.1mm)
EC620142H00BS	1-5/8" (42.4mm)
EC620350H00BS	2" (50.8mm)

Flat End Cap With Hole

EC62153H00BSM8	1-1/2" (38.1mm)
EC621642H00BSM8	1-5/8" (42.4mm)
EC621950H00BSM8	2" (50.8mm)

EC622142HCUBSM8

End Cap Round Curved SS 316 For 42.4 mm Dia Pipe & 2.0 mm Thick Pipe With M8 Hole

DOME

EC621038HDOBS	1-1/2" (38.1mm)
EC621142HDOBS	1-5/8" (42.4mm)
EC621450HDOBS	2" (50.8mm)

EC625040H00BS

End Cap Square Flat SS316 For 1-9/16" (40mm) X 1-9/16" (40mm) Pipe

EC625140H00BSM8

Square End Cap with Hole 1-9/16" (40mm) X 1-9/16" (40mm)

ARCHITECTURAL RAILINGS

SS304

EC4260255000S
EC6267255000S

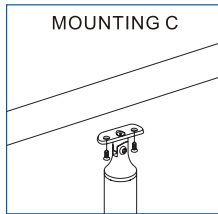
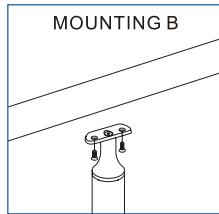
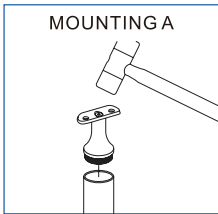
Endcap for 1" (25mm) X 2" (50mm) X 1/16" (1.5mm)



SS304

EC626842EBS

1-Sided Endcap For Round Tube 42.4mm With 2mm Thick In SS316



Drill Bit



Self Drilling Screws
FA406X12SADDL



Hammer



10563860-35 Structure Adhesive Incl. Activator

BS - BRUSHED STAINLESS STEEL (PS - POLISHED STAINLESS STEEL. AVAILABLE ON REQUEST)




TUBE SUPPORT & HANDRAIL ATTACHMENT

SS316

Also Available in
BLACK

ROUND TUBE SUPPORT



TS64094242LBS

Fixed Top Support for 42.4 mm (1-5/8") Tube



TS64284242LBS
TS64294250LBSS

Swivel Top Support for 42.4mm Tube




TR64524242EBS

Tube Rest For 42.4 Dia 2mm Thick Round Pipe


ARCHITECTURAL RAILINGS

SQUARE TUBE SUPPORT



TS64784000LBSS
TS648040SWIBS

Tube Support Swivel for 40mmX40mm Square Pipe



TS647940FIXBS

Tube Support Fix for 40mmX40mm Square Pipe


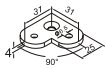


TS6HA40SQBS

Post Mounted Height Adjustable Handrail Support In SS 316 For 40x40mm Square Pipe Without Saddle


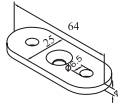
SADDLES

(5-5/16") 90° Saddle


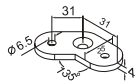
SA604XX00CBS	Flat
SA6605XX38CBS	1-1/2" (38.1mm)
SA6606XX42CBS	1-5/8" (42.4mm)
SA6607XX50CBS	2" (50.8mm)

Inline Saddle

SA6600XX00LBS	Flat
SA6601XX38LBS	1-1/2" (38.1mm)
SA6602XX42LBS	1-5/8" (42.4mm)
SA6603XX50LBS	2" (50.8mm)

(5-5/16") 135° Saddle

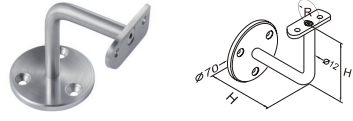
SA6608XX00NBS	Flat
SA6609XX38NBS	1-1/2" (38.1mm)
SA6610XX42NBS	1-5/8" (42.4mm)
SA6611XX50NBS	2" (50.8mm)

WALL MOUNT BRACKETS

SS316

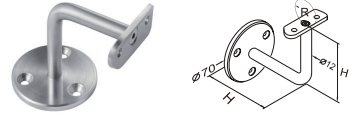
Also Available in
BLACK



* 
 Ø 2.28" (58mm)

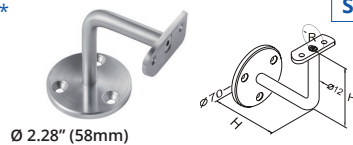
WB65053258FBS

Wall Bracket 3 X 2" fixed type with 14mm rod & 58mm dia plate with 3 mounting holes in SS316 material

* 
 Ø 2.28" (58mm)


WB65063358FBS

Wall Bracket 3 X 3" fixed type with 14mm rod & 58mm dia plate with 3 mounting holes in SS316 material

*  **SWIVEL**
 Ø 2.28" (58mm)


WB65143358SBS

Wall Bracket 3 X 3" swivel type with 14mm rod & 58mm dia plate with 3 mounting holes in SS316 material

* 
 Ø 2" (50mm)

WB65393250FBS

Wall Bracket 3 X 2" fixed type with 50mm dia plate single mounting hole (hanger bolt) in SS316 material

* 
 Ø 2" (50mm)

WB65403350FBS

Wall Bracket 3 X 3" fixed type with 50mm dia plate single mounting hole (hanger bolt) in SS316 material

*  **SWIVEL**
 Ø 2" (50mm)


WB65413350SBS

Wall Bracket 3 X 3" swivel type with 50mm dia plate single mounting hole (hanger bolt) in SS316 material




WB6R4X3SBS
WB6R5X3SBS

5"X3" & 4"X3" Rod for wall bracket swivel type in SS316


 Ø 2" (50mm)

WB65043350FBSA

Wall Bracket 3 X 3" fixed type with adjustable arm & 50mm dia plate in SS316 material


 Ø 2" (50mm)

WB65113350SBSA

Wall Bracket 3 X 3" swivel type with adjustable arm & 50mm dia plate in SS316 material



WB6645R42BS

Wall Bracket With Rectangular Plate 160x90x8mm Round For 42.4 Round Post In Brushed SS Finish In Ss 316 Finish




WB65D38R42BS

Wall Bracket With Round Plate 120mm Diameter 10mm Thick For 42.4 Round Post In Brushed Finish In SS316 Steel

 **SWIVEL**

WB6SQADJ33SBS

Wall Bracket Square Swivel For Flat With Hanger Bolt



WB66538S40BS

Wall Bracket With Square Plate 150 X 130mm For 40x40 Square Post In Brushed SS Finish In SS316 Steel

BS - BRUSHED STAINLESS STEEL


*Please mention the hand-rail type so that correct saddle combination can be shipped

ARCHITECTURAL RAILINGS

GLASS MOUNT BRACKETS


Also Available in
BLACK

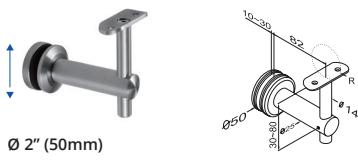



*

 Ø 1-1/2" (38mm)
GB65203238FBS
 Glass Bracket 3" X 2"
 Fixed Type

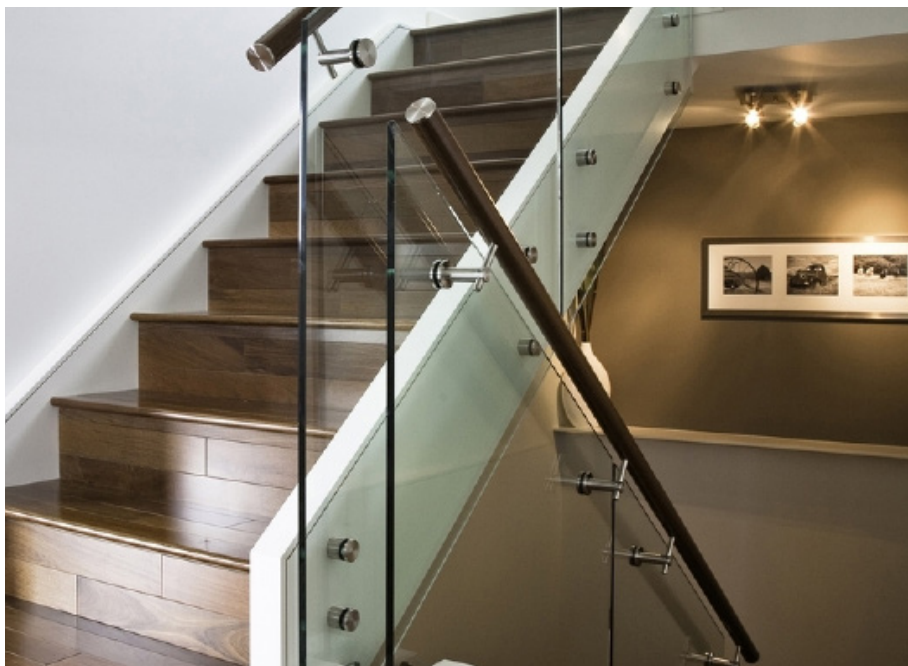
*

 Ø 2" (50mm)
GB65913350FBS
 Glass Bracket 3" X 3"
 Fixed Type

* **SWIVEL**

 Ø 2" (50mm)
GB65933250SBS
 Glass Bracket 3" X 3"
 Swivel Type

*

 Ø 2" (50mm)
GB65943350FBSA
 Glass Bracket Adjustable
 Fixed with flat saddle

* **SWIVEL**

 Ø 2" (50mm)
GB65953350SBS
 Glass Bracket Adjustable
 swivel With 42.4 Saddle



ARCHITECTURAL RAILINGS

* **SWIVEL**

GB6SQADJ33SBS
 Square Handrail Bracket
 Adjustable For Glass (Swivel)

ADD ON ITEMS



Self top screws for saddle
FA406X12SADDL



Screws for plate mounting on wood
(Available in Zinc & Stainless steel)



Hanger Bolt
(Available in Zinc & Stainless steel)

*Please mention the handrail type so that correct saddle combination can be shipped

BS - BRUSHED STAINLESS STEEL

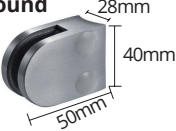

COMMERCIAL GLASS CLAMPS

SS316
Zamac




Also Available in
BLACK

ROUND GLASS CLAMP

STAINLESS STEEL

Small	Round		Flat	
SS316				
GC61000050RBS	Glass Clamp Sm. Round for Flat			
GC61013850RBS	Glass Clamp Sm. Round for 1-1/2" (38.1mm)			
GC61024250RBS	Glass Clamp Sm. Round for 1-5/8" (42.4mm)			
GC61984250RBL	Glass Clamp Sm. Round for (42.4mm) Pipe			

Rubber gasket included for 10mm glass




Large	Round		Flat			Order Swift plate separately
SS316						
GC61040063RBS	Glass Clamp Round for Flat					
GC61053863RBS	Glass Clamp Round for 1-1/2" (38.1mm)					
GC61064263RBS	Glass Clamp Round for 1-5/8" (42.4mm)					
GC61075063RBS	Glass Clamp Round for 2" (50.8mm)					
GC61994263RBL	Glass Clamp Round for (42.4mm) Pipe					

Rubber gasket included for 10mm & 12mm glass

ZAMAC

Small		
Zamac		
GC11000050RBS	Glass Clamp Large Round Zm. for Flat	
GC12010050RBL	Glass Clamp Large Round Zm. for Flat	
GC12024250RBL	Glass Clamp Large Round Zm. for Flat	

Rubber gasket included for 10mm glass

Large	Round		Flat		
Zamac					
GC11040063RBS	Glass Clamp Large Round Zm. for Flat				
GC11053863RBS	Glass Clamp Large Round Zm. for 1-1/2" (38.1mm)				
GC11064263RBS	Glass Clamp Large Round Zm. for 1-5/8" (42.4mm)				
GC11124263RBL	Glass Clamp Large Round Zm. for Flat				

Rubber gasket included for 10mm & 12mm glass



Rubber For Small Clamps

	
GR714050R06	6mm Rubber
GR714150R08	8mm Rubber
GR714250R10	10mm Rubber

Rubber For Large Clamps

	
GR714063R06	6mm Rubber
GR714063R08	8mm Rubber
GR714263R10	10mm Rubber
GR714363R12	12mm Rubber

Rubber remains same for both Stainless steel & Zamac clamps



ARCHITECTURAL RAILINGS

ACCESSORIES



BS - BRUSHED STAINLESS STEEL
(PS - POLISHED STAINLESS STEEL. AVAILABLE ON REQUEST)



COMMERCIAL GLASS CLAMPS

SS316
Zamac

Also Available in
BLACK



SQUARE GLASS CLAMPS

STAINLESS STEEL

Small	Round		Flat		Order Swift plate separately
SS316					
Rubber gasket included for 10mm glass					
GC61970045SBL	Glass Clamp Square Small for Flat				
GC61500045SBS	Glass Clamp Square Small for Flat				
GC61513845SBS	Glass Clamp Square Small for 1-1/2" (38.1mm)				
GC61524245SBS	Glass Clamp Square Small for 1-5/8" (42.4mm)				

Rubber For Small Clamps

GR719045S06	6mm Rubber
GR714150S08	8mm Rubber
GR719245S10	10mm Rubber

Large	Round		Flat		Order Swift plate separately
SS316					
Rubber gasket included for 10mm & 12mm glass					
GC61960052SBL	Glass Clamp Square Lg. for Flat				
GC61540052SBS	Glass Clamp Square Lg. for Flat				
GC61564252SBS	Glass Clamp Square Lg. for 1-5/8" (42.4mm)				
GC61575052SBS	Glass Clamp Square Lg. for 2" (50.8mm)				

ZAMAC

Small		
	Zamac	
GC11500045SBS		
GC12000045SBL		
Square Glass Clamp Small for Flat Zm.		

Rubber For Large

GR719252S10	10mm Rubber
GR719352S12	12mm Rubber

Large	
	Zamac
GC11540052SBS	Glass Clamp Lg. Square Zm. for Flat
GC11564252SBS	Glass Clamp Lg. Square Zm. for 1-5/8" (42.4mm)
GC11575052SBS	Glass Clamp Lg. Square Zm. for 2" (50.8mm)
GC11630052SBL	Glass Clamp Lg. Square Zm. for Flat



Rubber For Extra Large

GR719970S19	GR720070S215
Rubber for Extra Large Clamp for 19mm Glass	Rubber for Extra Large Clamp for 21.5mm Glass

Large		New
	SS316	
GC6605527SBS		
GC6605527SBL		
Flat with Adjustment and Swift Plate (60x55x27)		

Extra Large	Flat
	SS316
GC61600070SBS	
(70mm) x 1-3/4" (45mm) x 2-3/8" (60mm) for Flat	

BS - BRUSHED STAINLESS STEEL . (PS - POLISHED STAINLESS STEEL - AVAILABLE ON REQUEST)

STAND-OFF RAILING SYSTEMS

Also Available in
BLACK



All Stand offs Include Base, Cap & Gasket
Additional Caps & Gaskets are Available

STAND OFF DIA 2"

CODE	HEIGHT
SO686620025BS	1/4"
SO68012005XBS	1/2"
SO68022010XBS	1"
SO680320125BS	1-1/4"
SO68042015XBS	1-1/2"
SO681120175BS	1-3/4"
SO68052020XBS	2"
SO68392040XBS	4"
SO68402060XBS	6"



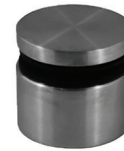
STAND OFF DIA 1-1/2"

CODE	HEIGHT
SO681215025BS	1/4"
SO681315050BS	1/2"
SO681415075BS	3/4"
SO68151510XBS	1"
SO681615125BS	1-1/4"
SO68171515XBS	1-1/2"
SO68181520XBS	2"

Thread Size 3/8"-16

SO68381520XPS	2"
---------------	----

Available in polished finish
1-1/2 Dia, 2" Height.



STAND OFF DIA 3/4"

CODE	HEIGHT
SO681975025BS	1/4"
SO682075050BS	1/2"
SO682175075BS	3/4"
SO68227510XBS	1"
SO682375125BS	1-1/4"
SO68247515XBS	1-1/2"
SO68257520XBS	2"
SO68267540XBS	4"
SO68277560XBS	6"

Thread Size 1/4"-20

SO68367514CBS

Caps for Stand off
dia 3/4"

ARCHITECTURAL RAILINGS

Thread Size 3/8"-16



SO68342014CBS
SO68532095CPS
GR719820RXX

Caps for Stand off
dia 2"

Thread Size 3/8"-16



SO622PLATE839
SO622PLATE840

Plate 7.99" X 4"
X0.31"Standoff 2X2"

SO68351714CBS
SO68541595CPS
GR720615RXX

Caps for Stand off
dia 1-1/2"

- Tag Stand-off System Are Available In Different Sizes And Finishes.
- They Can Be Put Into Any Application Like Retail, Residence Or Commercial Spaces.
- They Look Aesthetically Unique And Suits To The Modern Outlook For Any Location.



BS - BRUSHED STAINLESS STEEL (PS - POLISHED STAINLESS STEEL. AVAILABLE ON REQUEST)

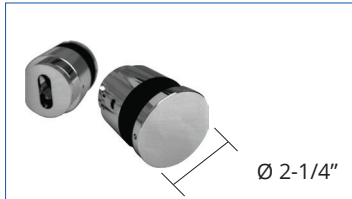
STAND-OFF RAILING SYSTEMS

SS316
2205

Also Available in
BLACK

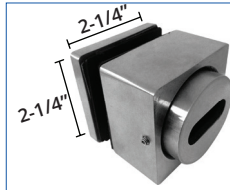


ADJUSTABLE



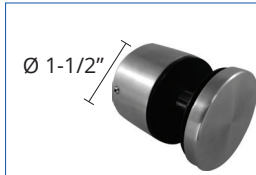
SO68112212ABS

Height: 2-1/4" (SS316)
Adjustable Round Stand-off 2-1/4" Dia & Height
From 1-5/16" to 2"



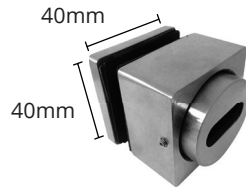
SO68122212ABS

Height: 2-1/4" x 2-1/4"
(SS316) Adjustable Square
Standoff 2-1/4" Dim &
Height From 1-3/8" to 2"



SO68371510ABS

Height: 1-1/2" (SS316)
Adjustable Round
Standoff 1-1/2" Dia &
Height From 1-3/8"
to 2"



SO640ADJSQBS

40x40 Sq. Adjustable



SO6ADJ2015XBS

SO6ADJ2015XBL

Adjustable Round Stand-off Solid With Cap For 2"
In SS316



SO5ADJ20175BS

SO5ADJ20175BL

Premium Adjustable
Stand Off Dia 2" X 1 3/4"

ACCESSORIES



Zinc Hanger Bolts
for Wood & Concrete



Stainless Steel Hanger
Bolts for Wood &
Concrete



WRSTDOF3842BL
WRSTDOF5562BL

Add wrench for
1-1/2" & 2"

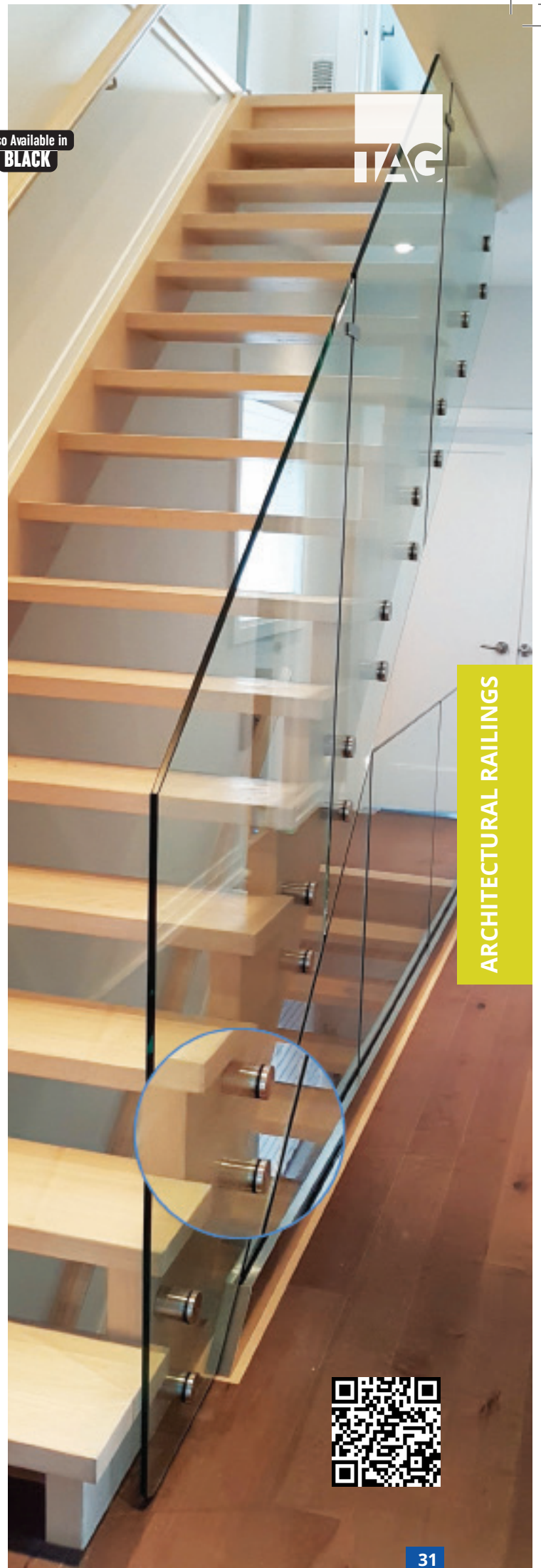
1/4" 3/8"



HANGERBOLTDR1420
HANGERBOLTDR3816

Hanger Bolt Driver

* Accessories Differ With The Stand off Threads



ARCHITECTURAL RAILINGS





CAP RAILS & ACCESSORIES

SS316

SS2205

Also Available in
BLACK

MINI ROUND CAP RAIL SS316



TU630D1912R

Tube Slotted Round
for Handrail Dia 1-3/16" (30mm) ;
Thick 1/16" (1.2mm) Length 5.8m(19')
in SS316

ARCHITECTURAL RAILINGS

2205



EB530AR90HBS

Elbow 90° Adj.
Horizontal in
SS2205 for 1-3/16"
(30mm) Dia Round
Pipe

2205



EB530R90HBS

Elbow 90° Adj.
Hori. Connector
in SS2205 for
1-3/16" (30mm) Dia
Round Pipe

2205



EB530AR90VBS

Elbow 90° Adj.
Vertical Connector
in SS316 for
1-3/16" (30mm)
Dia Round Pipe

2205



EB530R180LBS

Elbow Linear
Connector in
SS2205 for
1-3/16" (30mm)
Dia Round Pipe

2205



EC530HRBS

End Cap Round
Flat Slotted
SS2205 for
1-3/16" (30mm)
Dia Pipe

2205



EC530HRBSKH

End Cap Round with
A Key Hole, Slotted
Handrail in SS2205 for
1-3/16" (30mm) Dia
pipe

2205



EC530HRWBBS

End Cap Wall
Bracket Round with A
Offset Hole in SS2205
for 1-3/16" (30mm)
Dia Pipe



GR71414G10(19')

Rubber for Hand-
rail 1-3/16" (30mm)
Dia Round Pipe for
3/8" (10mm) Glass



GR71414G12(19')

Rubber for Hand-
rail 1-3/16" (30mm)
Dia Round Pipe for
1/2" (12mm) Glass

BS - BRUSHED STAINLESS STEEL (PS - POLISHED STAINLESS STEEL. AVAILABLE ON REQUEST)

32

MINI SQUARE CAP RAIL

SS316
2205



SS316

Also Available in
BLACK



TU625211912S

Tube Slotted Sq. for Handrail
1"x13/16" (25 X 21mm) (19') SS316

2205

EB52521AS90HBS

Elbow 90° Adj. Horizontal Connector for Slotted Handrail

2205

EB52521AS90VBS

Elbow 90° Adj. Vertical Connector SS2205 for 1"x13/16" (25 X 21mm)

2205

EB52521S90HBS

Elbow 90° Horizontal Connector SS2205 for 1"x13/16" (25 X 21mm)

2205

EB52521S180LBS

Elbow Linear Connector in SS2205 for 1"x13/16" (25 X 21mm)

2205

EC52521SHRBS

End Cap Rect. Flat Slotted Handrail SS2205 for 1"x13/16" (25 X 21mm) Pipe

2205

EC52521SHRBSKH

End Cap Rect. Flat Slotted Handrail SS2205 for 1"x13/16" (25 X 21mm) Pipe

2205

EC52521SHRWBBS

End Cap Wall Bracket Rect. for 1"x13/16" (25x21mm) Pipe with an Offset Hole Slotted Handrail SS2205

GR71414G10

Rubber for Handrail 1"x13/16" (25X21mm) Rectangular Pipe 14x14mmx5.8m Suitable for 3/8" (10mm) Glass

GR71414G12(19')

Rubber for Handrail 1"x13/16" (25X21mm) Rectangular Pipe 14x14mmx5.8m Suitable for 1/2" (12mm) Glass

ROUND CAP RAIL

SS316



TU6934421615R

Tube Slotted Round For Handrail Diameter 1-5/8"(42.4mm) X 1/16"(1.5mm) X 16' Length



RK1500

Structural Construction Adhesive (2part) (ideal for handrail)

316

DF665909542RNC

Disc Flange Bottom Cast Round 3-3/4" (95mm)

316

EC623942HR0BS

End Cap Slotted Handrail

316

EB635842ADDBS

Elbow Adjustable Downward Connector For Slotted Handrail

316

EB635942ADUBS

Elbow Upward Adjustable Connector Slotted Handrail

316

EB6355542LIHBS

Elbow Linear Slotted Handrail

316

EB63564290HBS

Elbow 90° (Horizontal) Slotted Handrail

316

EB63574290VBS

Elbow 90° (Vertical) Slotted Handrail

10 mm

GR7242410

Rubber Gasket

12 mm

GR7242412

Rubber Gasket

ARCHITECTURAL RAILINGS

SQUARE CAP RAIL

SS316

Also Available in
BLACK



TU6935401615S

SQUARE SLOTTED HANDRAIL
1-9/16" (40mm) X 1-9/16" (40mm)
x 16ft



DF666010040SNC

Square Base Flange
For Slotted Handrail
1-1/2" X 1-1/2" (40 X
40mm) Tube



EB637940LIHBS

Elbow Linear
Connector



EB63814090VBS

Elbow 90° Vertical
Connector



EC625940HR0BS

Square U-tube End Cap
For 1-9/16" (40mm) X
1-9/16" (40mm) Hand-
rail



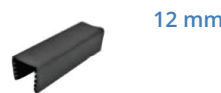
EB63804090HBS

Elbow 90° Hori-
zontal Connector



GR7242410

Rubber Gasket



GR7242412

Rubber Gasket



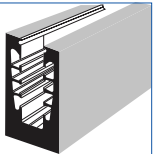
RK1500

WEICON RK-1500 KIT
Structural Adhesive
incl. Activator

ARCHITECTURAL RAILINGS

HEAVY GLASS BASE SHOE

AL
SS304



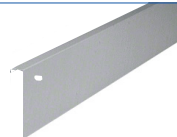
EW367710MS

Square Base
Shoe-Hollow



EW368410MF

Square Base
Shoe Solid



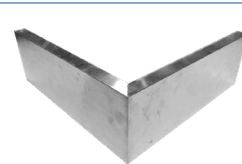
**EW468310PS
EW468010BS**

10' Cladding



EW443167810BS

10' Cladding



**EW46861X1BSINN
EW46851X1BSOUT**

90° Cladding



EW368410MF

Facemount
Base Shoe



EW767810TGAS

Black Top Rub-
ber Gasket



ALDRAINBLOCK

Aluminum Drain
Block For Base
Shoe



BL
BS
PS

EC42524X2XXBS

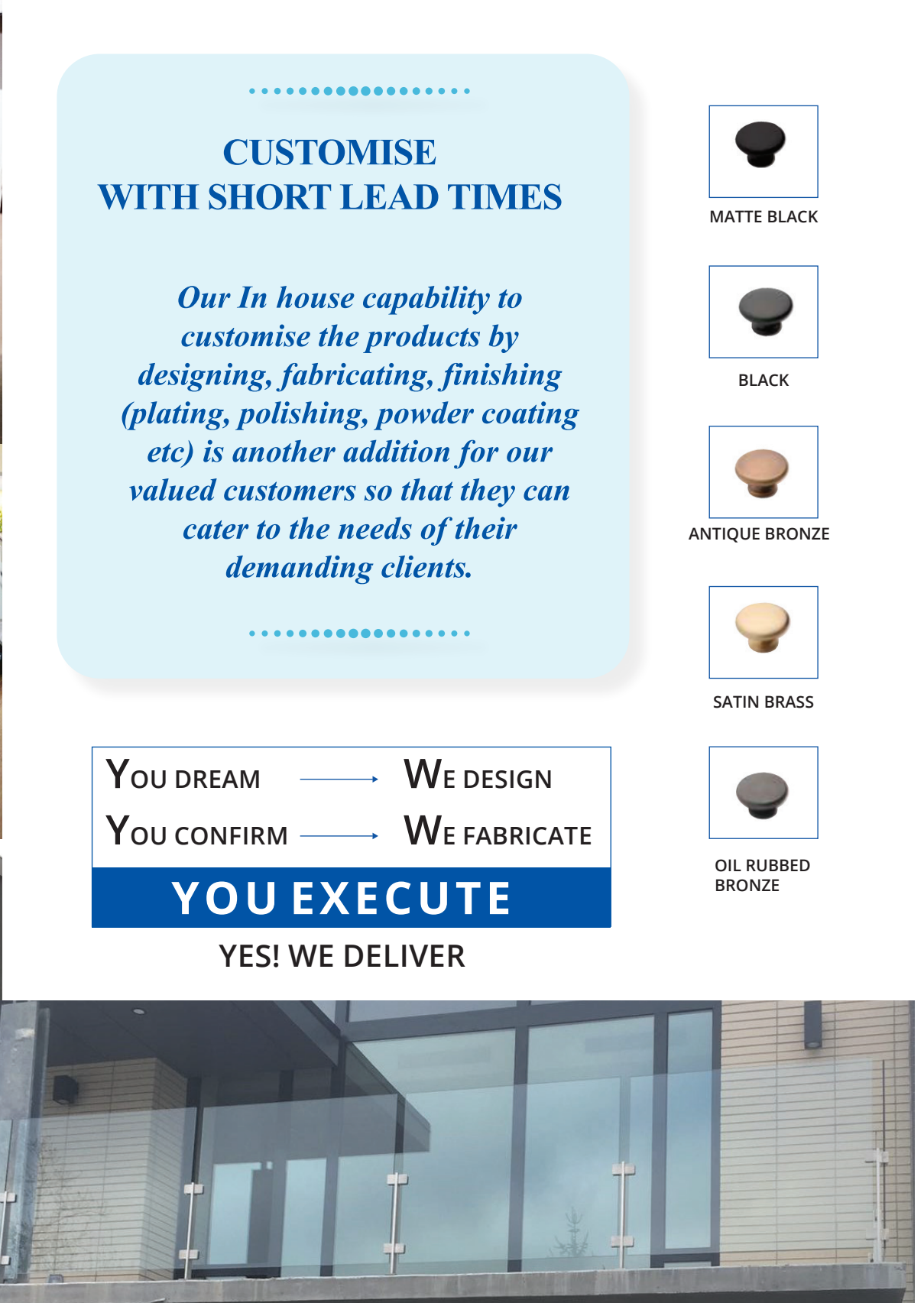
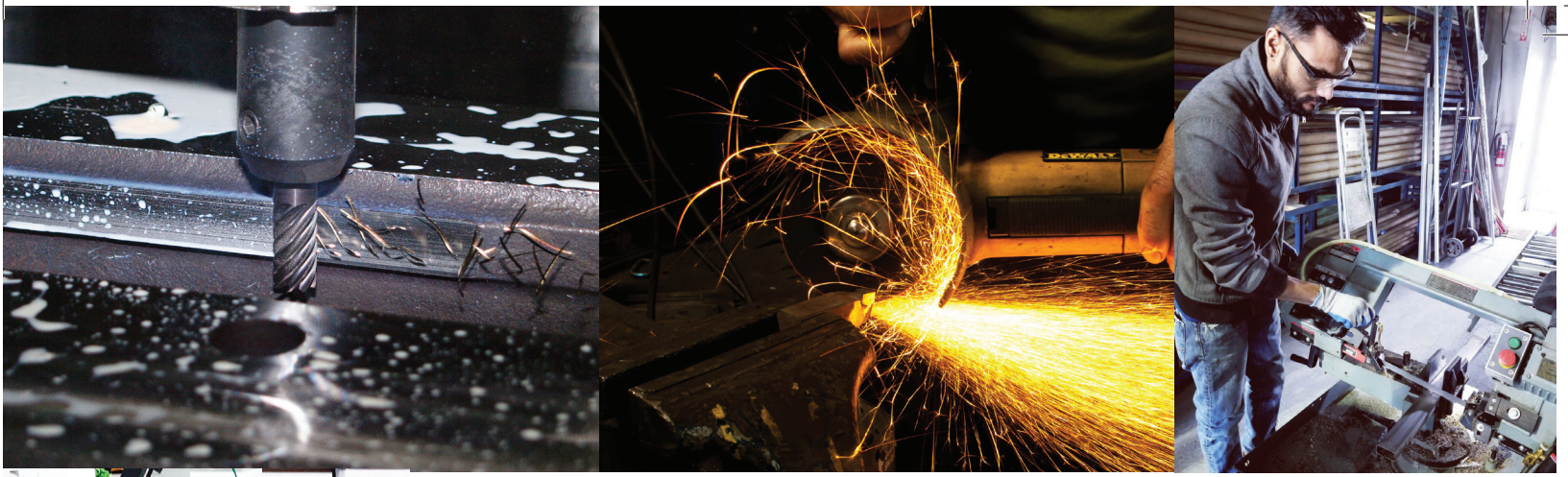
End Cap Brushed
Stainless Steel For
Square Base Shoe

BS - BRUSHED STAINLESS STEEL (PS - POLISHED STAINLESS STEEL. AVAILABLE ON REQUEST)

WWW.TAGHARDWARE.CA

ORDER ONLINE AND SAVE!





.....

CUSTOMISE WITH SHORT LEAD TIMES

Our In house capability to customise the products by designing, fabricating, finishing (plating, polishing, powder coating etc) is another addition for our valued customers so that they can cater to the needs of their demanding clients.

.....



MATTE BLACK



BLACK



ANTIQUe BRONZE



SATIN BRASS



OIL RUBBED BRONZE

YOU DREAM ———> WE DESIGN
YOU CONFIRM ———> WE FABRICATE

YOU EXECUTE

YES! WE DELIVER

FRAMELESS WINDSCREEN SYSTEM

SS2205
SS316

Also Available in
BLACK

2205



SP5SEEDGEFR10175BS

Edge Spigot (Side Mount)
Friction Fit In 2205 BS Finish
For 12-17.52mm Glass
With Cover

2205



SP5SQADJFRBS

Square Spigot Friction Fit
With Level Adjustment
In 2205 BS Finish With
Cover

2205



SP5RDADJFRBS

Round Spigot Friction
Fit With Level Adjust-
ment In 2205 BS Finish
With Cover

316



SP6RD3PC1HBS

Round Spigot 3PC construction 1
hole, 200mm height in BS finish

316



SP618514XRDBS

Round Spigot 2PC construction 2
hole, 180mm height in BS finish

316



SP61854XXXBS

Square Spigot 3PC construction 1
hole, 200mm height in BS finish



ARCHITECTURAL RAILINGS

SQUARE MINI POST

SS316

316



PS6MINI0642BS
PS6MINI0642PS
PS6MINI0642BL

Mini post solid 12"
high in BS Finish



New

HOSPITALITY
TAG Offers Food Service
Sneeze Guard Partition Post



Custom Design
Option Available

BS - BRUSHED STAINLESS STEEL (PSS - POLISHED STAINLESS STEEL. AVAILABLE ON REQUEST)

ULTRA SLIM SERIES

2205

GC5WBKT1012BS	GC5WBKT1315BS
90° Wall to Glass Bracket for 10 - 12mm Glass	90° Wall to Glass Bracket for 13.52 - 15.04 mm Glass

2205

GC5GGLIN1012BS	GC5GGLIN1315BS
180° Glass to Glass Bracket for 10-12 mm Glass	180° Glass to Glass Bracket for 13.52-15.04 mm Glass

2205

GC5GGBKT1012BS	GC5GGBKT1315BS
90° Glass to Glass Bracket for 10-12mm Glass	90° Glass to Glass Bracket for 13.52- 15.04 mm Glass

2205

GC5GGADJ1012BS	GC5GGADJ1315BS
Adjustable Glass to Glass Bracket for 10- 12mm Glass	Adjustable Glass to Glass Bracket for 13.52-15.04 mm Glass

CLAMPS

GC5GGADJ1215BS

Glass Clamp Ultra Slim Frameless Stiffener - 90 - 180 Deg Glass To Glass Bracket For 12 - 15mm Glass Double Screw In Duplex 2205 Steel In Brushed SS Finish

GC5WBKT1215BS

Glass Clamp Ultra Slim Frameless Stiffener - Wall Bracket For 12 - 15mm Glass Double Screw In Duplex 2205 Steel In Brushed SS Finish

SS316

GC61158XX90BS

90° Glass to Glass Clamp

GC5GGLIN1215BS

Glass Clamp Ultra Slim Frameless Stiffener - 180 Deg Glass To Glass Bracket For 12 - 15mm Glass Double Screw In Duplex 2205 Steel In Brushed SS Finish

GC5GGBKT1215BS

Glass Clamp Ultra Slim Frameless Stiffener - 90 Deg Glass To Glass Bracket For 12 - 15mm Glass Double Screw In Duplex 2205 Steel In Brushed SS Finish

SS316

GC61159X180BS

180° Glass to Glass Clamp



GATE SYSTEM & HARDWARE

BS - BRUSHED STAINLESS STEEL (PS - POLISHED STAINLESS STEEL. AVAILABLE ON REQUEST)

2205

LA5100142GPBS
Magnetic Latch for Glass to 42.4 Dia Post

2205

LA5100800GPBS
Magnetic Latch for 90° Wall to Glass Lock

2205

LA5100142GPBS
Magnetic Latch for 42.4mm (1-5/8") round post Lock

2205

LA51003LIGGBS
Magnetic Latch for 180° Glass to Glass Lock

PLASTIC

LA91004LIGGBL
Magnetic Latch for Wood/Metal Doors

2205

PI5102550RBS
Top Pivot Round Post to Glass

2205

PI5102212GLBS
Top Pivot Glass to Glass (Linear)

2205

PI5102312GLBS
Top Pivot Glass to Glass 90°

2205

PI5102454WBS
Top Pivot Wall to Glass (Linear)

2205

PI5102100XXBS
Top Pivot Wall to Glass (Horizontal)

2205

HI511014040BS
Hinge for Square Post to Glass

2205

HI51102424XBS
Hinge for Round Post to Glass

GATE SYSTEM & HARDWARE



DELUXE SERAIL SLIDING SYSTEM

- One Sliding Door And One Fixed Panel
- High Quality Double Rollers For Easy Opening And Closing Of Door
- Accessory Kit Available For 90o Return Panels.

SPECIFICATIONS

Glass Thickness Range: Tempered Glass 5/16" Or 3/8" (8mm To 10mm)

Material: Stainless Steel

Max Door Size: Do Not Exceed 30" (762mm) Wide Or 88 Pounds (40kg)

Fabrication: Holes / Cutout Required On Glass Panel And Door



SLSER141030PS	SLSER141040BS
SLSER141109BL	SLSERKITBG


Standard Kit Includes



(X4)

SLSERRLBSS
SLSERRLPSS

Door Rollers



(X2)

SLSERFPBSS
SLSERFPPSS

Fixed Panel Fitting



(X2)

SLSEROFWS4BSS
SLSEROFWS4PSS


Track Holder Wall fitting



(X1)

SLSER90105BSS
SLSER90106PSS


Door Guide



(X2)

SLSEROFWSBSS
SLSEROFWSPSS


Stopper



(X1)

SLEZKNOBSS
SLEZKNOBPSS


Pull with Centre Plate



(X1)

SLSERTUB107BSS
SLSERTUB108PSS
SLSERTUB109BL

78-3/4" (2m) Length Header Bar



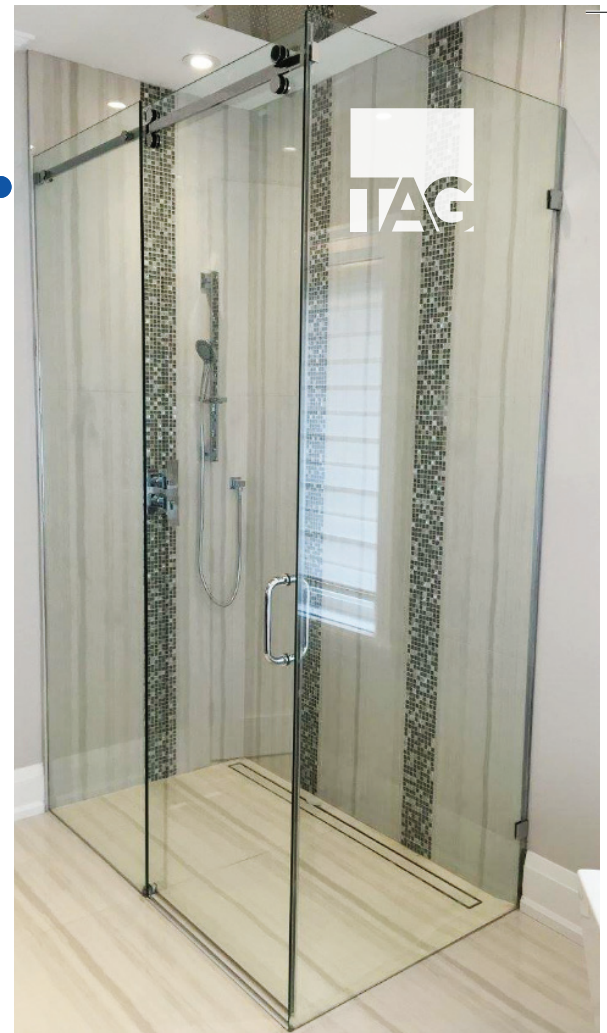
(X1)

PS12
L-Seals

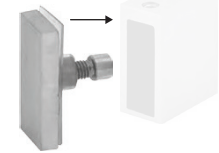


Arch Spec Online


BS - BRUSHED STAINLESS STEEL | PS - POLISHED STAINLESS STEEL
BL - BLACK MATTE | BG - BRUSHED GOLD



SERAIL90DEGREE



Glass Thickness




8mm to 10mm

SLSERCON30101BSS
SLSERCON30102PSS

Accessory Kit for 90 Degree return is used in conjunction with Track Holder fitting for wall (Sold Separately)



CREATE 90° DOUBLE DOOR CORNER SYSTEM



SLSER90103BSS
SLSER90103PSS

New

- Buy 2 Kits and One Corner Bracket
Ideal for smaller bathrooms.

- Each sliding door cannot exceed
(432mm) 17" width or
51 Pounds (23KG)

SLIDING DOOR SYSTEM

LAG SLIDING DOOR SYSTEM



SET A: WALL MOUNT SINGLE SLIDER KIT +



SLLAG1PIPE20BS
SLLAG1PIPE20PS
SLLAG1PIPE20BL

Top Sliding tube with End cap 104" (2.64M) in length



SLLAG7WMOUNTBS
SLLAG7WMOUNTPS

Wall Mount Clamp in SS304 Steel

+ Each Set contains SLLAGCOM01BS/PS Kit



SLLAGCOM01BS (BRUSHED STAINLESS STEEL)

SLLAGCOM01PS (POLISHED STAINLESS STEEL)

SLLAGCOM01BL (MATTE BLACK)

SET B: WALL MOUNT BI-PARTING SLIDER KIT +



SLLAG1PIPE20BS
SLLAG1PIPE20PS

Top Sliding tube with End cap 104" (2.64M) in length



SLLAG7WMOUNTBS
SLLAG7WMOUNTPS

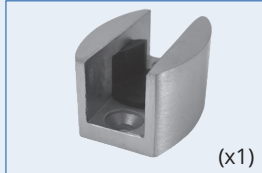
Wall Mount Clamp in SS304 Steel

*Depends on the length



SLLAG3ROLLERBS
SLLAG3ROLLERPS

Top Rollers with Glass Fittings



SLLAG6FGUIDEBS
SLLAG6FGUIDEPS

Floor Guide in SS304 Steel



SLLAG2STOPLBS
SLLAG2STOPLPS

Left Side Door Stopper in SS304



SLLAG2STOPRBS
SLLAG2STOPRPS

Right Side Door Stopper in SS304

+ Each Set contains SLLAGCOM01BS/PS Kit

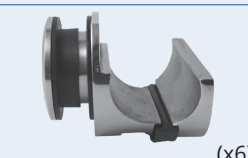
SET C: GLASS MOUNT SINGLE SLIDER KIT +

(With Wall Attachment)



SLLAG1PIPE20BS
SLLAG1PIPE20PS

Top Sliding tube with End cap 104" (2.64M) in length



SLLAG4MOUNTBS
SLLAG4MOUNTPS

Glass Mount Clamp in SS304 Steel Glass



SLLAG9WMECAPBS
SLLAG9WMECAPPS

Wall Mount End Cap in SS304 Steel

+ Each Set contains SLLAGCOM01BS/PS Kit

SET D: GLASS MOUNT SINGLE SLIDER WITH SIDELITES KIT +



SLLAG1PIPE20BS
SLLAG1PIPE20PS

Top Sliding tube with End cap 104" (2.64M) in length



SLLAG4MOUNTBS
SLLAG4MOUNTPS

Glass Mount Clamp in SS304 Steel Glass



Arch Spec Online

+ Each Set contains SLLAGCOM01BS/PS Kit

SLIDING DOOR SYSTEM

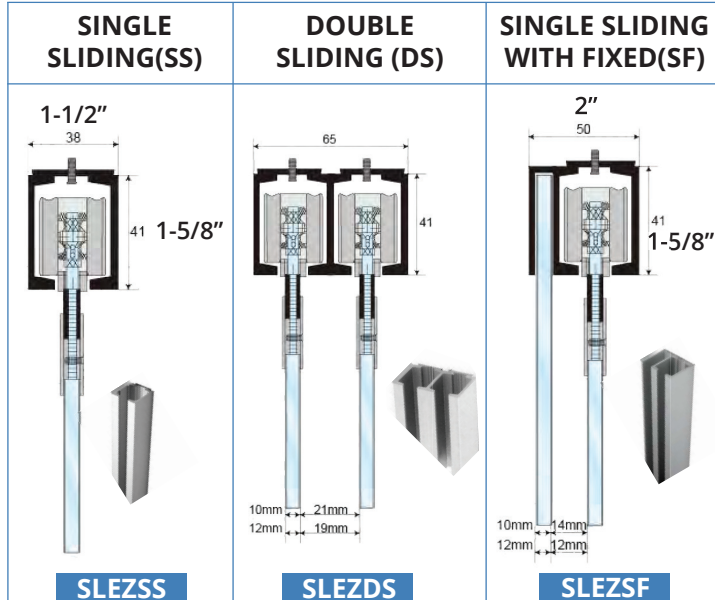
BS - BRUSHED STAINLESS STEEL | PS - POLISHED STAINLESS STEEL | BL - BLACK MATTE

Also Available in
BLACK

LONDON EZ TOP HUNG SLIDING DOOR KIT

- This Kit is for 3/8" to 1/2" (10-12mm) Tempered Glass
- Surface Mount available.

LONDON EZ Top Hung Sliding system is easy to install/ cost effective solution to glass sliding doors in commercial and residential applications.



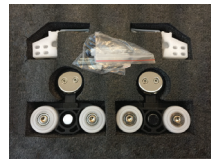
AVAILABLE IN BA(BRIGHT ANODIZED),
BN (BRUSHED NICKLE),SA (SATIN ANODIZED)

SLIDING DOOR KITS INCLUDES



SLEZ40ST

Cutout Required



SLEZ80ST-ROUND

Cutout Required



SLEZ80ST

Cutout Required



SLEZ120ST

Cutout Required

DOOR WEIGHT	PRODUCT CODE	PRODUCT CODE	PRODUCT CODE	FINISH	CUTOUT
40KG	SLEZ40STSA-SS	SLEZ40STSA-DS	SLEZ40STSA-SF	SATIN ANODIZED	Yes
80KG	SLEZ80STBA-SS	SLEZ80STBA-DS	SLEZ80STBA-SF	BRIGHT ANODIZED	Yes
80KG	SLEZ80STBN-SS	SLEZ80STBN-DS	SLEZ80STBN-SF	BRUSHED NICKLE	Yes
80KG	SLEZ80STSA-SS	SLEZ80STSA-DS	SLEZ80STSA-SF	SATIN ANODIZED	Yes
120KG	SLEZ120STSA-SS	SLEZ120STSA-DS	SLEZ120STSA-SF	SATIN ANODIZED	Yes

* ALL KITS INCLUDE ONE TRACK 96 7/8"(2460MM), SLIDING KIT

Optional Accessories (Application Based):



SLEZ90DEGCON

90 Deg Connector

SLEZWALLCON

Wall Connector

SLEZENDCAPBL

End Cap

SLEZPLATEBSS/PSS

Face Mounting Plate

SLEZKNOBBS/PSS/SA

Thru Glass Pull

STANDARD SHOWER DOORS

Heat Soaked
High Reliability

	2HOLE for 6"x 6" handle	3HOLE for 6"x 18" handle
24inx68in (Tub)	SD6824-2H	SD6824-3H
24inx72in	SD7224-2H	SD7224-3H
24inx76in	SD7624-2H	SD7624-3H
24inx78in	SD7824-2H	SD7824-3H
26inx72in	SD7226-2H	SD7226-3H
26inx76in	SD7626-2H	SD7626-3H
26inx78in	SD7826-2H	SD7826-3H
26inx80in	SD8026-2H	SD8026-3H
26inx82in	SD8226-2H	SD8226-3H



SERAIL SLIDING SYSTEM



SLIDING DOOR SYSTEM



VAUGHAN GLASS AND MIRROR INC.

Custom Glass available on request.
Email your orders to sales@vglassmirror.com
Call us at 905-597-4527, Fax: 905-597-4521

HEAT SOAKING: **

In tempered glass, the heated glass is cooled at a much higher rate to achieve the required internal tensile and surface compression stresses. Because of this high cooling rate, inclusions (which are present in all float glass) do not have time to return to their original state but remain in a high-temperature state within the glass. Over time, these inclusions will return to their low-temperature state and in the process they increase in volume, causing additional stresses within and eventually creating spontaneous breakage.

Heat soaking is a process in which tempered glass is subjected to a temperature of 290°C for several hours in a heat-soaking oven. During this time, the nickel sulphide inclusions undergo a phase change and reverse back to its original low-temperature state (i.e. the inclusions expand in volume). If these inclusions are near the central tension core of the glass, the change in volume will generate sufficient stress to break the glass.

It is estimated that up to 95% of nickel sulphide-contaminated panes of glass are usually destroyed by this process, reducing the chance of on-site spontaneous breakage.



10538057
Repair Stick Stainless Steel



11050400-35
Aluminium Spray
A-100 abrasion resistant & high temp resistant corrosion protection.



11051400-35
Aluminium Spray A-400
(High brilliancy due to advanced AL flake system)



11100400
Stainless Steel Spray



11102400 - 35
Brass Spray



11104400
Stainless Steel Spray (Bright)



11202400
Sealant & Adhesive Remover (including silicon)



11202500
Power Cleaner Spray (De greaser, No residue)



11206500
Label Remover Spray



13353085
Flex+bond® Clear



13352085
Flex+bond® Black



13351085
Flex+bond® Grey



11590400
Stainless Steel Care Spray



13608310
Speed Flex Crystal (ideal for vertical applications)



13656290-35
Flex 310 M® Stainless Steel



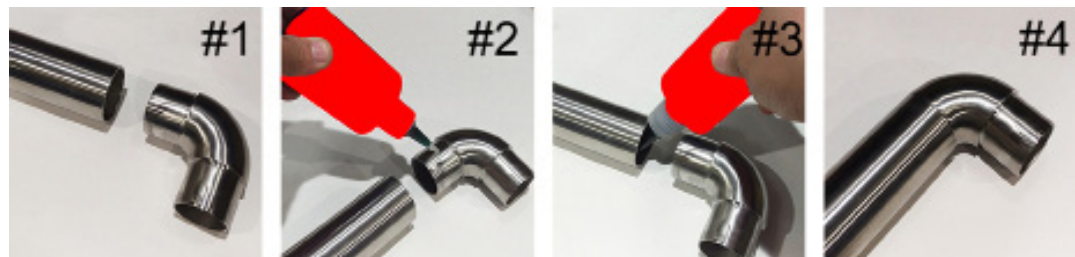
13308310
Flex 310 M® Crystal



10563860
Structural Construction Adhesive (2part) (ideal for handrail)



14100319
Mounting Double Sided Tape



ADHESIVES, SEALANTS



Drive-Thru Service Available

- » Pickup Made Easy
- » Following Covid protocol
- » Fast In & Out



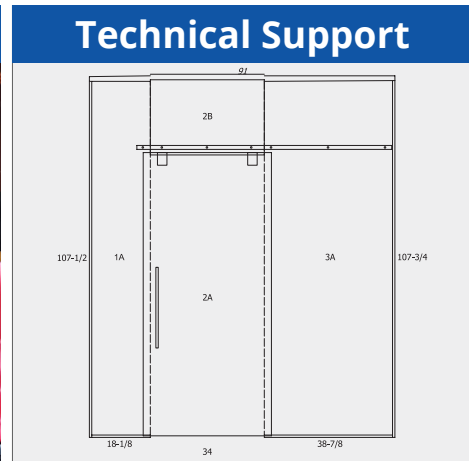
Hardware Sales

✉ sales@taghardware.ca
☎ 905-760-2000



Glass Fabrication

✉ sales@vglassmirror.com
☎ 905-597-4527



Technical Support

✉ technical@taghardware.ca
☎ 416-646-1999

TAG Group of Companies



www.tagglasssolution.com

☎ 905-760-2000 | 905-597-4527, Ext:- 100